

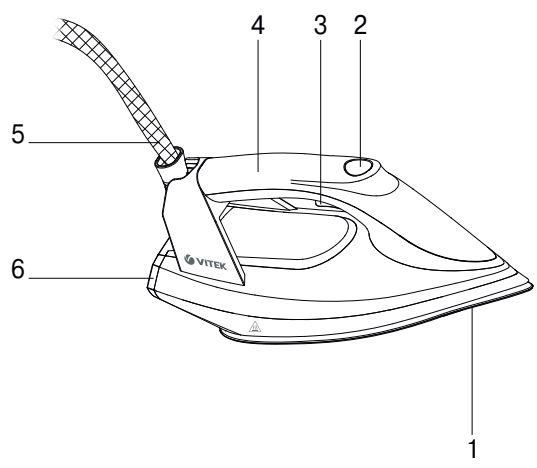
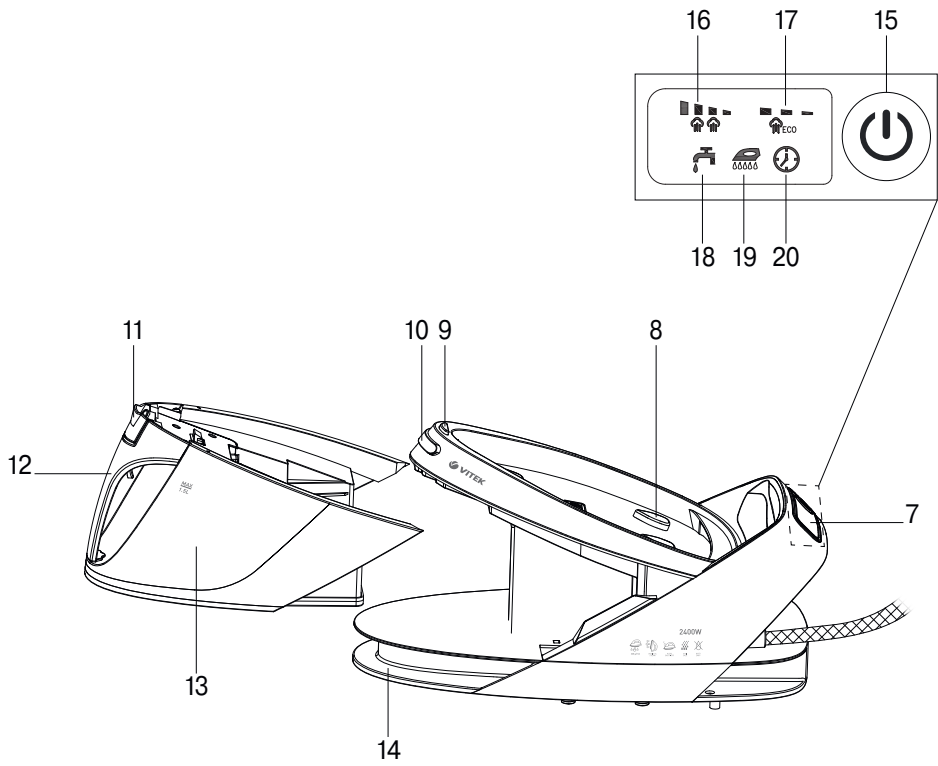
VT-2430

Steam station

Паровая станция

Инструкция по эксплуатации

GB Manual instruction	3
RUS Инструкция по эксплуатации	8
KZ Пайдалану нұсқасы	14
UA Інструкція з експлуатації	20
KG Пайдалануу боюнча нускама	26
RO Instrucțiune de exploatare	31



STEAM STATION VT-2430

The unit is intended for steam and dry ironing and for vertical steaming of clothes, linen and fabrics.

DESCRIPTION

1. Iron soleplate
2. Heating on/steam supply mode selection button
3. Steam supply button with continuous steam supply lock
4. Handle
5. Steam hose
6. Iron base
7. Control/indication panel
8. Iron rest
9. Iron unlock button
10. Iron lock button
11. Water inlet lid
12. Water tank handle
13. Water tank
14. Steam hose and cord storage

Control/indication panel

15. On/off/operation mode selection button
16. Steam supply intensity symbols
17. Efficient steam supply mode symbols
18. Empty water tank symbol
19. Self-clean mode symbol
20. Auto switch-off mode symbol

ATTENTION!

For additional protection it is reasonable to install a residual current device (RCD) with nominal operation current not exceeding 30 mA. To install RCD contact a specialist.

SAFETY PRECAUTIONS

Before using the steam station, read this instruction carefully. Keep these instructions for further reference.

Use the unit for intended purposes only, as specified in this manual. Mishandling the unit can lead to its breakage and cause harm to the user or damage to the user's property, which is not covered by warranty.

- Before switching the steam station on, make sure that the mains voltage corresponds to the unit operating voltage.
- The power cord is equipped with a "euro-plug"; insert it into a socket that has a reliable grounding connection.
- To avoid fire, do not use adapters for connecting the steam station to the mains.
- To avoid mains overloading, do not switch on several electrical appliances with high power consumption at the same time.
- Do not use the unit outdoors.
- Do not store and do not switch the unit on in places where highly inflammable liquids are stored or used.
- Place the steam station on a flat steady surface. Before placing the unit on the ironing board, make sure that the ironing board is reliable and steady.
- Before using the unit, examine the power cord and the steam hose closely and make sure that they are not

damaged. If you find any damages of the power cord or the steam hose, do not use the unit.

- Do not use the unit near containers filled with water, next to a kitchen sink or near a swimming pool.
- If the unit is dropped into water, unplug it immediately, and only then take it out of water.
- Avoid contact of the power cord or the steam hose with hot surfaces and sharp furniture edges.
- Do not leave the unit connected to the mains unattended. Always unplug the unit before cleaning or when you are not using it.
- Do not touch the steam station body, the iron, the power cord or the power plug with wet hands.
- To avoid electric shock, do not immerse the steam station body, the iron, the power cord and the plug into water or other liquids.

ATTENTION! The iron soleplate and certain steam station parts heat up during the operation. Keep open skin areas away from direct contact with hot surfaces to avoid burns; avoid the hot steam going out from the soleplate openings.

- Do not fill the water tank with scented liquids, vinegar, starch solution, descaling reagents, chemical agents etc.
- Switch the unit off and unplug it before filling the tank set on the steam station body with water.
- Do not direct outgoing steam at people and animals.
- To avoid damaging the soleplate be very careful when ironing clothes with metal zippers or buttons.
- During the breaks between operation set the iron on the steam station or on the base. After the operation place the iron on the iron rest and fix it by pressing the lock button.
- When you unplug the unit, always take it by the power plug and disconnect it from the mains socket, never pull the power cord.
- Pour out water from the water tank only after switching the unit off and unplugging it.
- Clean the unit regularly.
- For children safety do not leave polyethylene bags used for packaging unattended.

Attention! Do not allow children to play with polyethylene bags or packaging film. **Danger of suffocation!**

- Do not allow children to touch the steam station body, the steam hose, the power cord or the power plug during operation of the unit.
- Do not leave children unattended to avoid them using the unit as a toy.
- Be especially careful if children or disabled persons are near the operating unit.
- This unit is not intended for usage by children.
- During the unit operation and breaks between operation cycles, place the unit out of reach of children.
- The unit is not intended to be used by people with physical, sensory or mental disabilities (including children) or by persons lacking experience or knowledge if they are not under supervision of a person who is responsible for their safety or if they are not instructed by this person on the usage of the unit.
- Check the power cord integrity from time to time.

ENGLISH

- Do not use the unit if the power cord or the power plug is damaged, if the unit works improperly and after it was dropped.
- If the power cord is damaged, it should be replaced by the manufacturer, a maintenance service or similar qualified personnel to avoid danger.
- Do not use the unit after dropping in case of visible damage or leakage.
- Do not repair the unit by yourself. Do not disassemble the unit by yourself, if any malfunction is detected or after it was dropped, unplug the unit and apply to any authorized service center at the contact addresses given in the warranty certificate and on the website www.vitek.ru.
- To avoid damages, transport the unit in the original package only.
- Keep the unit in a dry darkened and cool place out of reach of children and disabled persons.

THIS UNIT IS INTENDED FOR HOUSEHOLD USE ONLY. ITS COMMERCIAL USAGE AND USAGE IN PRODUCTION AREAS AND WORK SPACES IS PROHIBITED.

WATER SELECTION

Use tap water to fill the tank. If tap water is hard, it is recommended to mix it with distilled water in proportion 1:1, if tap water is too hard, mix it with distilled water in proportion 1:2 or use distilled water only.

BEFORE THE FIRST USE

After unit transportation or storage at low temperature keep it for at least three hours at room temperature before switching on.

- Unpack the steam station and remove all packaging elements that can prevent proper unit operation.
- Press the iron unlock button (9) and remove it from the steam station.
- Remove the protection from the iron soleplate (1), if there is any.
- Wipe the soleplate (1) with a soft dry cloth.
- Wipe the iron body and the steam station body with a soft cloth.
- Make sure that the voltage of the mains corresponds to the operating voltage of the unit.
- Place the steam station on a flat steady heat- and water-resistant surface so that the unit is on the same level with your ironing board. When setting the steam station on the ironing board, make sure that the ironing board is reliable and steady.
- **There may be water residue in the tank, this is normal, as the steam station undergoes factory quality control.**

FILLING THE WATER TANK

Note: Before removing the water tank (13), make sure that the unit is unplugged.

- Remove the water tank (13) taking it by the handle (12) and pulling the water tank (13) towards you.

- Open the water inlet lid (11) and fill the water tank (13) with water.
- Close the lid (11) and install the water tank (13) back to its place.

Filling the water tank during operation

If during ironing the water level in the tank (13) drops below the minimum required for normal operation of the unit, you'll hear a sound signal and the indicator (18) will start blinking. You can refill the water tank (13) without removing it from the steam station body.

- Press and hold down the button (15), wait till the unit is switched off (in this case all indicators on the control/indication panel (7) will go out). Disconnect the unit from the mains.
- Open the water inlet lid (11) and carefully fill the water tank (13) with water.

Notes:

- Do not fill the water tank (13) with scented liquids, vinegar, starch solution, descaling reagents, chemical agents etc.
- Do not exceed the "MAX" mark.

USING THE UNIT


- Place the unit on a flat steady heat- and water-resistant surface so that it is on the same level with your ironing board. When setting the steam station on the ironing board, make sure that the ironing board is reliable and steady.
- While the first switching on the heating element burns, therefore occurrence of a small amount of smoke or extraneous smell is possible, it is normal.
- After switching the unit on and during the operation you will hear characteristic sounds of a working pump. These sounds are caused by normal operation and are not a malfunction.
- Before using the unit, iron a piece of cloth to clean the steam ducts of the iron soleplate (1) and the boiler. During the first operation some particles may appear from the iron soleplate (1) openings, it is normal and not a malfunction.

Attention! The steam station body, the iron rest (8), the iron soleplate (1) and the steam hose (5) heat up during the operation, do not touch the hot surfaces of the unit, take the iron by its handle (4) only.

- Make sure that the steam hose (5) doesn't bend and twist during the operation.
- When using the steam station for the first time or in case you haven't used the steam station for some time, press the steam supply button (3) several times, directing the steam away from the clothes. This will remove the condensate from the steam hose (5).
- The constant temperature of the soleplate (1) is maintained during the operation, the indicator (2) periodically lights up and goes out.
- Before starting steam ironing, wait till the boiler reaches the required temperature and the soleplate (1) heats up (the button indicator (2) glows constantly); other-

wise water will leak from the steam openings of the soleplate (1).

IRONING TEMPERATURE

- Special technology determines the optimal temperature of the iron soleplate within the range from 135 to 165°C. The steam will go out intensively and that allows to use the steam station for effective ironing of delicate and thick fabrics.
- Always check the recommended ironing temperature indicated on the tag before ironing.
- If the item label is marked with the symbol , do not iron the item.
- Before ironing sort items by the ironing temperature: synthetics to synthetics, wool to wool, cotton to cotton etc.
- It is recommended to iron the synthetic fabrics first. After that, start ironing silk or wool items. Cotton and linen items should be ironed last.
- Corduroy and other fabrics that become glossy quickly should be ironed strictly in one direction (in direction of the pile) with little pressure.
- To avoid appearance of glossy spots on synthetic and silk fabrics, iron them backside.

STEAM SUPPLY

- You can iron woolen clothes both from the back side and face side, but in the latter case iron it only through a cloth, switch the steam supply on pressing and holding the button (3). Steam ironing helps to avoid gloss.

Steam intensity setting

- You can set the steam supply intensity with the buttons (2 or 15). Select the steam supply intensity level, the steam supply intensity is indicated with the symbols (16, 17).
- The unit is ready to operate when the indicator (2) lights constantly.

STEAM IRONING

- Make sure that the water tank (13) is filled with water.
- Place the iron on its base (8).
- Insert the power plug into the mains socket, you will hear a sound signal and the button (15) light indicator will light up.
- Switch the unit on by pressing the button (2 or 15), you will hear a sound signal and the button (2) indicator will light up and start flashing.
- When the indicator (2) on the iron glows constantly, you can start ironing.
- During operation you can select the steam supply intensity by pressing the button (2 or 15), the symbols (16 or 17) will light up.
- To save energy and water you can set the efficient steam supply mode, the efficient operation mode is indicated with the symbol (17).
- For short-time steam supply press the button (3), for continuous steam supply press the button (3) and hold it. To lock the button (3) in pressed position, press it and move the lock. To release the button (3), move the lock backwards.

- During intervals in operation place the iron on the rest (8) or on its base (6); before setting the iron on the rest (8) wait till the steam is released completely from the soleplate (1) openings. Make sure that no water drops accumulate on the rest (8); if the water drops appear, wipe them with a soft cloth or a paper towel.
- After you finish using the steam station, set the iron on the rest (8) and fix it by pressing the lock button (10).
- Switch the unit off by pressing and holding the button (15).
- Unplug the unit.
- Wait until the unit cools down completely, then remove the water tank (13) and pour the water from it.

VERTICAL STEAM

Hold the iron vertically at the distance of 10-30 cm from the clothes and press the steam supply button (3).

Important information

- Vertical steam is not recommended for synthetic fabrics.
- Never steam clothes put on a person as the steam temperature is very high, use a clothes hanger or a stand. Do not direct steam at people, plants, animals or objects which can be damaged by moisture.

DRY IRONING

- Once the soleplate (1) temperature reaches the set one, the indicator (2) will glow constantly, you can start ironing.
- Holding the iron by the handle (4), do not press the steam supply button (3).

AUTOMATIC SWITCH-OFF FUNCTION

- If you don't use the unit for 10 minutes (don't press any buttons, don't press the steam supply button (3)) or use the unit in dry ironing mode, you will hear sound signals, the symbol (20) will start flashing and the unit will be switched off automatically.
- To switch the unit on, press the button (2 or 15), wait until the soleplate (1) heats up and continue the operation.

CLEANING AND CARE

Before cleaning unplug the unit and wait till it cools down completely.

After every use

Drain water from the water tank (13).

- Remove the water tank (13) taking it by the handle (12) and pulling the water tank (13) towards you.
- Open the lid (11) and pour out water from the water tank (13), then install the tank back to its place.

Regular cleaning

- Wipe the steam station body and the iron with a slightly damp cloth, and then wipe them dry.

ENGLISH

- Remove the mineral deposit on the iron soleplate (1) with a cloth soaked in vinegar-water solution and then wipe the soleplate surface with a dry cloth.
- Do not use abrasive substances and any solvents to clean the steam station body and the iron.

Self-clean mode

- Fill the water tank (13) with water and install it back to its place.
- Connect the power plug to the mains socket, press and hold the button (15) for 2 seconds, the self-clean mode symbol (19) will light up.
- After the iron soleplate (1) heats up, place the iron horizontally above the sink and then simultaneously press and hold the button (3) and the button (2).
- In the self-clean mode high steam supply intensity is switched on, boiling water and steam with scale will be released from the iron soleplate (1) openings.
- Slightly sway the iron back and forth, while the water leaves the water tank (13).
- Release the steam supply button (3).
- Place the iron on its base (6) and let it cool down completely.
- When the iron soleplate (1) cools down completely, wipe it with a dry cloth.
- Make sure that the iron soleplate (1) is dry before setting the iron on the rest (8).
- Switch the unit off by pressing and holding the button (15).
- Unplug the unit.

STORAGE

- Before you take the unit away for storage, make sure that unit has cooled down completely.
- Drain the remaining water from the water tank (13).
- Clean the unit.
- Place the iron on the rest (8) and lock it by pressing the button (10).
- Place the power cord and the steam hose (5) in the cord storage (14).
- Keep the kettle in a dry darkened and cool place out of reach of children and disabled persons.

DELIVERY SET

Steam station – 1 pc.
Instruction manual – 1 pc.

TECHNICAL SPECIFICATIONS

Power supply: 220-240 V ~ 50-60 Hz
Rated input power: 2200 W
Maximum power consumption: 2400 W
Maximum steam generation capacity: up to 220 g/min
Pressure: 5.5 bar
Water tank capacity: 1.5 L

RECYCLING



For environment protection do not throw out the unit and the batteries (if included), do not discard the unit and the batteries with usual household waste after the service life expiration; apply to specialized centers for further recycling.

The waste generated during the disposal of the unit is subject to mandatory collection and consequent disposal in the prescribed manner.

For further information about recycling of this product apply to a local municipal administration, a disposal service or to the shop where you purchased this product.

The manufacturer preserves the right to change design, structure and specifications not affecting general principles of the unit operation without a preliminary notification due to which insignificant differences between the manual and product may be observed. If the user reveals such differences, please report them via e-mail info@vitek.ru for receipt of an updated manual.

Unit operating life is 3 years

Guarantee

Details regarding guarantee conditions can be obtained from the dealer from whom the appliance was purchased. The bill of sale or receipt must be produced when making any claim under the terms of this guarantee.



This product conforms to the EMC Directive 2014/30/EU and to the Low Voltage Directive 2014/35/EU.

ПАРОВАЯ СТАНЦИЯ VT-2430

Устройство предназначено для парового, сухого глажения и вертикального отпаривания одежды, белья, тканей.

ОПИСАНИЕ

1. Подошва утюга
2. Кнопка включения нагрева/выбора режимов подачи пара
3. Клавиша подачи пара с фиксатором постоянной подачи пара
4. Ручка
5. Паровой шланг
6. Основание утюга
7. Панель управления/индикации
8. Площадка для установки утюга
9. Кнопка разблокировки утюга
10. Клавиша блокировки утюга
11. Крышка заливочного отверстия
12. Ручка резервуара для воды
13. Резервуар для воды
14. Место намотки сетевого шнура и парового шланга

Панель управления/индикации

15. Кнопка включения/выключения/выбора режимов работы
16. Символы интенсивности подачи пара
17. Символы экономичного режима подачи пара
18. Символ окончания воды в резервуаре
19. Символ режима самоочистки от накипи
20. Символ режима автоотключения

ВНИМАНИЕ!

Для дополнительной защиты целесообразно в цепи питания установить устройство защитного отключения (УЗО) с номинальным током срабатывания, не превышающим 30 мА, для установки УЗО обратитесь к специалисту.

МЕРЫ БЕЗОПАСНОСТИ

Перед началом эксплуатации паровой станции внимательно прочитайте настоящую инструкцию по эксплуатации и сохраните её для использования в качестве справочного материала.

Используйте устройство только по его прямому назначению, как изложено в данной инструкции. Неправильное обращение с устройством может привести к его поломке, причинению вреда пользователю или его имуществу и не является гарантийным случаем.

- Перед включением паровой станции, убедитесь в том, что напряжение в электрической сети соответствует рабочему напряжению устройства.
- Сетевой шнур снабжён «евровилкой»; включайте её в электрическую розетку, имеющую надёжный контакт заземления.
- Во избежание риска возникновения пожара не используйте переходники при подключении паровой станции к электрической розетке.

- Во избежание перегрузки электрической сети не включайте одновременно несколько устройств с большой потребляемой мощностью.
- Не используйте устройство вне помещений.
- Не храните и не включайте устройство в местах, где хранятся или используются легковоспламеняющиеся жидкости.
- Устанавливайте паровую станцию на ровную, устойчивую поверхность; прежде чем установить устройство на гладильную доску, убедитесь в её надёжности и устойчивости.
- Перед использованием устройства, внимательно осмотрите сетевой шнур, паровой шланг и убедитесь в том, что они не повреждены. Если вы обнаружили повреждение сетевого шнура или парового шланга, не пользуйтесь устройством.
- Не используйте устройство вблизи ёмкостей с водой, в непосредственной близости от кухонной раковины или рядом с бассейном.
- Если устройство упало в воду, немедленно выньте сетевую вилку из электрической розетки, и только после этого можно достать устройство из воды.
- Не допускайте соприкосновения сетевого шнура и парового шланга с горячими поверхностями и острыми краями мебели.
- Не оставляйте устройство без присмотра, если оно включено в электрическую розетку. Всегда перед чисткой или в том случае, если вы не пользуетесь устройством, отключайте его от электрической сети.
- Не прикасайтесь к корпусу паровой станции, утюгу, сетевому шнуру или к вилке сетевого шнура мокрыми руками.
- Чтобы избежать поражения электрическим током, не погружайте корпус паровой станции, утюг, сетевой шнур и вилку сетевого шнура в воду или любые другие жидкости.

ВНИМАНИЕ! Подошва утюга и отдельные детали корпуса паровой станции нагреваются во время работы. Во избежание получения ожогов не допускайте непосредственного контакта открытых участков кожи с горячими поверхностями, остерегайтесь выхода горячего пара из отверстий подошвы утюга.

- Запрещается заливать в резервуар для воды ароматизирующие жидкости, уксус, раствор крахмала, реагенты для удаления накипи, химические вещества и т.п.
- При наполнении водой резервуара, установленного на корпусе паровой станции, выключите устройство и выньте вилку сетевого шнура из электрической розетки.
- Запрещается направлять выходящий пар на людей или животных.
- Во избежание повреждения подошвы утюга, соблюдайте осторожность при глажении вещей с металлическими молниями или металлическими пуговицами.
- В перерывах, устанавливайте утюг на паровую станцию или ставьте утюг на основание. По окон-

РУССКИЙ

чания работы, установите утюг на площадку паровой станции и зафиксируйте его, нажав на клавишу блокировки.

- При отключении устройства от электрической сети всегда держитесь за вилку сетевого шнура, и выньте её из электрической розетки, никогда не тяните за сетевой шнур.
- Сливайте воду из резервуара только после выключения устройства и отключения его от электрической сети.
- Регулярно проводите чистку устройства.
- Из соображений безопасности детей не оставляйте полиэтиленовые пакеты, используемые в качестве упаковки, без присмотра.

Внимание! Не разрешайте детям играть с полиэтиленовыми пакетами или упаковочной плёнкой.

Опасность удара!

- Не разрешайте детям прикасаться к корпусу паровой станции, к паровому шлангу, сетевому шнуру или к вилке сетевого шнура во время работы устройства.
- Дети должны находиться под присмотром для недопущения игр с прибором.
- Будьте особенно внимательны, если поблизости от работающего устройства находятся дети или лица с ограниченными возможностями.
- Данное устройство не предназначено для использования детьми.
- Во время работы и в перерывах между рабочими циклами размещайте устройство в местах, недоступных для детей.
- Прибор не предназначен для использования лицами (включая детей) с пониженными физическими, сенсорными или умственными способностями или при отсутствии у них жизненного опыта или знаний, если они не находятся под присмотром или не проинструктированы об использовании прибора лицом, ответственным за их безопасность.
- Периодически проверяйте целостность шнура питания.
- Запрещается использовать устройство при наличии повреждений вилки шнура питания или шнура питания, если устройство работает с перебоями, а также после его падения.
- При повреждении шнура питания его замену во избежание опасности должны производить изготовитель, сервисная служба или подобный квалифицированный персонал.
- Не пользуйтесь устройством после его падения, при наличии видимых повреждений или в случае протекания.
- Запрещается самостоятельно ремонтировать прибор. Не разбирайте прибор самостоятельно, при возникновении любых неисправностей, а также после падения устройства отключите прибор от электросети и обратитесь в любой авторизованный (уполномоченный) сервис-

ный центр по контактным адресам, указанным в гарантийном талоне и на сайте www.vitek.ru.

- Во избежание повреждений перевозите устройство только в заводской упаковке.
- Храните устройство в сухом, затемнённом и прохладном месте, недоступном для детей и людей с ограниченными возможностями.

ДАННЫЙ ПРИБОР ПРЕДНАЗНАЧЕН ДЛЯ ИСПОЛЬЗОВАНИЯ ТОЛЬКО В БЫТОВЫХ УСЛОВИЯХ. ЗАПРЕЩАЕТСЯ КОММЕРЧЕСКОЕ ИСПОЛЬЗОВАНИЕ И ИСПОЛЬЗОВАНИЕ УСТРОЙСТВА В ПРОИЗВОДСТВЕННЫХ ЗОНАХ И РАБОЧИХ ПОМЕЩЕНИЯХ.

ВЫБОР ВОДЫ

Для наполнения резервуара используйте водопроводную воду. Если водопроводная вода жёсткая, рекомендуется смешивать её с дистиллированной водой в соотношении 1:1, при очень жёсткой воде смешивайте её с дистиллированной водой в соотношении 1:2 или используйте только дистиллированную воду.

ПЕРЕД ПЕРВЫМ ИСПОЛЬЗОВАНИЕМ

После транспортировки или хранения устройства при пониженной температуре необходимо выдержать его при комнатной температуре не менее трёх часов.

- Извлеките паровую станцию из упаковки и удалите элементы упаковки, мешающие её нормальной работе.
- Нажмите кнопку разблокировки утюга (9) и снимите его с паровой станции.
- При наличии защиты на подошве утюга (1) удалите защиту.
- Протрите подошву (1) чистой мягкой тканью.
- Протрите мягкой тканью корпус утюга и корпус паровой станции.
- Убедитесь в том, что напряжение электрической сети соответствует рабочему напряжению устройства.
- Установите паровую станцию на ровную устойчивую теплостойкую и влагостойкую поверхность так, чтобы устройство находилось на одном уровне с вашей гладильной доской. При установке паровой станции на гладильной доске убедитесь в надёжности и устойчивости доски.
- **В резервуаре могут находиться остатки воды – это нормальное явление, так как на производстве паровая станция проходит контроль качества.**

НАПОЛНЕНИЕ РЕЗЕРВУАРА ДЛЯ ВОДЫ

Примечание: Прежде чем снять резервуар для воды (13), убедитесь в том, что устройство отключено от электрической сети.

- Снимите резервуар для воды (13), взявшись за ручку (12) и потянув резервуар (13) на себя.

- Откройте крышку заливочного отверстия (11) и залейте воду в резервуар (13).
- Закройте крышку (11) и установите резервуар (13) на место.

Наполнение резервуара во время работы

Если во время глажения уровень воды в резервуаре (13) опустится ниже необходимого для нормальной работы устройства, прозвучит звуковой сигнал, при этом начнёт мигать индикатор (18). Долить воду можно не снимая резервуар (13) с корпуса паровой станции.

- Нажмите и удерживайте кнопку (15), дождитесь выключения устройства (в этом случае все индикаторы на панели управления/индикации (7) погаснут). Отключите устройство от электрической сети.
- Откройте крышку заливочного отверстия (11) и аккуратно добавьте воды в резервуар (13).

Примечания:

- *Запрещается заливать в резервуар для воды (13) ароматизированные жидкости, уксус, раствор крахмала, реагенты для удаления накипи, химические вещества и т.п.*
- *Не наливайте воду выше отметки «MAX».*

ИСПОЛЬЗОВАНИЕ УСТРОЙСТВА

- Установите устройство на ровной, устойчивой, теплостойкой и влагостойкой поверхности так, чтобы устройство находилось на одном уровне с вашей гладильной доской. При установке паровой станции на гладильной доске, убедитесь в надёжности и устойчивости доски.
- При первом включении нагревательный элемент утюга обгорает, поэтому возможно появление постороннего запаха, это нормальное явление.
- После включения и в процессе работы вы услышите характерные звуки работающей помпы. Данные звуки являются следствием нормальной работы и не являются неисправностью.
- Перед началом эксплуатации попробуйте прогладить кусочек ткани, чтобы прочистить паровые каналы подошвы утюга (1) и бойлера. При первом использовании возможен выход частиц из отверстий подошвы утюга (1), это нормальное явление и не является неисправностью.

Внимание! Корпус паровой станции, площадка для установки утюга (8), подошва утюга (1) и паровой шланг (5) нагреваются в процессе работы, не касайтесь горячих поверхностей устройства, утюг держите только за ручку (4).

- Следите за тем, чтобы в процессе работы паровой шланг (5) не перегибался и не перекручивался.
- При первом использовании паровой станции или в том случае, если вы не пользовались паровой станцией некоторое время, нажмите несколько раз на клавишу подачи пара (3), направляя пар

в сторону от белья, это позволит удалить конденсат из парового шланга (5).

- В процессе работы поддерживается постоянная температура подошвы утюга (1), при этом индикатор (2) периодически загорается и гаснет.
- Прежде, чем приступать к паровому глажению, дождитесь разогрева бойлера до необходимой температуры и разогрева подошвы утюга (1) (индикатор кнопки (2) будет светиться постоянно), иначе возможно вытекание капель воды из паровых отверстий подошвы (1).

ТЕМПЕРАТУРА ГЛАЖЕНИЯ

- Специальная технология определяет оптимальную температуру подошвы утюга в пределах от 135 до 165°C, а интенсивно выходящий пар, позволяет использовать паровую станцию для эффективной глажки деликатных и плотных тканей.
- Всякий раз перед глажением вещей обращайтесь внимание на ярлык изделия, где указана рекомендуемая температура глажения.
- Если на ярлыке изделия есть символ , то данное изделие гладить не рекомендуется.
- Перед глажкой отсортируйте вещи по температуре глажения: синтетику - к синтетике, шерсть к шерсти, хлопок - к хлопку и т.д.
- Сначала рекомендуется гладить вещи из синтетических тканей. После чего приступайте к глажению шёлковых или шерстяных изделий. Изделия из хлопка и льна следует гладить в последнюю очередь.
- Вельветовые и другие ткани, которые быстро начинают лосниться, следует гладить строго в одном направлении (в направлении ворса) с небольшим нажимом.
- Чтобы избежать появления лоснящихся пятен на синтетических и шелковых тканях, их следует гладить с изнаночной стороны.

ПОДАЧА ПАРА

- Шерстяные вещи можно гладить как с изнанки, так и с лицевой стороны, но в последнем случае гладить следует обязательно через ткань, включайте подачу пара, нажимая и удерживая клавишу (3). Паровое глажение поможет избежать появления блеска на изделии.

Установка интенсивности подачи пара

- Интенсивность подачи пара устанавливается кнопками (2 или 15). Выберите интенсивность выхода пара, при этом интенсивность выхода пара отображается символами (16, 17).
- Устройство готово к использованию, когда индикатор (2) горит постоянно.

ПАРОВОЕ ГЛАЖЕНИЕ

- Убедитесь в том, что резервуар (13) наполнен водой.
- Поставьте утюг на площадку (8).

РУССКИЙ

- Вставьте вилку сетевого шнура в электрическую розетку, прозвучит звуковой сигнал и загорится световой индикатор кнопки (15).
- Включите устройство, нажав на кнопку (2 или 15), прозвучит звуковой сигнал, при этом загорится и будет мигать индикатор кнопки (2).
- Когда индикатор (2) на утюге будет гореть постоянно, можно приступить к глажению.
- Во время работы вы можете выбрать интенсивность парообразования нажатием кнопок (2 или 15), при этом будут загораться символы (16 или 17).
- В целях экономии электроэнергии и уменьшения расхода воды, вы можете установить экономичный режим подачи пара, экономичный режим работы отображается символом (17).
- Для кратковременной подачи пара нажмите на клавишу (3), для продолжительной подачи пара нажмите на клавишу (3) и удерживайте её. Для фиксации клавиши (3) в нажатом положении, нажмите на неё и сдвиньте фиксатор, для возврата клавиши (3), сдвиньте фиксатор в обратном направлении.
- В перерывах в работе устанавливайте утюг на площадку (8) или на его основание (6), перед установкой утюга на площадку (8) дождитесь полного выхода пара из отверстий подошвы (1). Следите за тем, чтобы на площадке (8) не скапливались капли воды, при образовании капель вытирайте их мягкой тканью или бумажной салфеткой.
- После использования паровой станции установите утюг на площадку (8) и зафиксируйте его, нажав клавишу блокировки (10).
- Выключите устройство, нажав и удерживая кнопку (15).
- Извлеките вилку сетевого шнура из электрической розетки.
- Дождитесь полного остывания устройства, затем снимите резервуар (13) и вылейте из него воду.

ВЕРТИКАЛЬНОЕ ОТПАРИВАНИЕ

Держите утюг вертикально на расстоянии 10-30 см от одежды и нажимайте на клавишу подачи пара (3).

Важная информация

- Не рекомендуется выполнять вертикальное отпаривание синтетических тканей.
- Никогда не отпаривайте одежду, уже надетую на человека, потому что температура выходящего пара очень высокая, пользуйтесь плечиками или вешалкой. Не направляйте пар на людей, растения, животных или на предметы, которые могут быть повреждены влагой.

СУХОЕ ГЛАЖЕНИЕ

- Когда подошва утюга (1) нагреется до заданной температуры, индикатор (2) будет гореть постоянно, можно приступить к глажению.

- Удерживая утюг за ручку (4), не нажимайте на клавишу подачи пара (3).

ФУНКЦИЯ АВТООТКЛЮЧЕНИЯ

- Если в течение 10 минут вы не пользовались устройством (не нажимали каких-либо кнопок, не нажимали клавишу подачи пара (3)) или использовали устройство в режиме «сухое глажение», прозвучат звуковые сигналы, символ (20) будет мигать и устройство автоматически отключится.
- Для включения устройства нажмите кнопку (2 или 15), дождитесь нагрева подошвы (1) и продолжайте работу.

ЧИСТКА И УХОД

Перед чисткой устройства отключите устройство от электрической сети и дождитесь его полного остывания.

После каждого использования

Сливайте воду из резервуара для воды (13).

- Снимите резервуар для воды (13), взявшись за ручку (12) и потянув резервуар (13) на себя.
- Откройте крышку (11) и вылейте воду из резервуара для воды (13), затем установите резервуар на место.

Регулярная чистка

- Протрите корпус паровой станции и утюга слегка влажной тканью, после этого вытрите насухо.
- Минеральные отложения на подошве утюга (1) удалите тканью, смоченной в водно-уксусном растворе, затем протрите поверхность подошвы сухой тканью.
- Не используйте для чистки корпуса паровой станции и утюга абразивные чистящие средства и любые растворители.

Режим самоочистки

- Наполните резервуар (13) и установите его на место.
- Вставьте вилку сетевого шнура в электрическую розетку, нажмите и удерживайте кнопку (15) в течение 2 секунд, при этом загорится символ режима самоочистки (19).
- После нагрева подошвы утюга (1), расположите утюг горизонтально над раковиной, затем одновременно нажмите и удерживайте клавишу (3) и кнопку (2).
- В режиме самоочистки, включается повышенная интенсивность выхода пара, пар вместе с кипящей водой и накипью будут выбрасываться из отверстий подошвы утюга (1).
- Слегка покачивайте утюг вперёд-назад, пока вода выходит из резервуара (13).
- Отпустите клавишу подачи пара (3).
- Поставьте утюг на основание (6) и дайте ему полностью остыть.

- Когда подошва утюга (1) полностью остынет, протрите её кусочком сухой ткани.
- Прежде чем установить утюг на площадку (8), убедитесь, что подошва утюга (1) – сухая.
- Выключите устройство, нажав и удерживая кнопку (15).
- Извлеките вилку сетевого шнура из электрической розетки.

ХРАНЕНИЕ

- Прежде чем убрать устройство на хранение, убедитесь в том, что устройство полностью остыло.
- Вылейте оставшуюся воду из резервуара (13).
- Произведите чистку устройства.
- Утюг установите на площадке (8) и заблокируйте его, нажав клавишу (10).
- Уложите сетевой шнур и паровой шланг (5) в место для намотки (14).
- Храните устройство в сухом, затемнённом и прохладном месте, недоступном для детей и людей с ограниченными возможностями.

КОМПЛЕКТАЦИЯ

Паровая станция – 1 шт.
Инструкция – 1 шт.

ТЕХНИЧЕСКИЕ ХАРАКТЕРИСТИКИ

Электропитание: 220-240 В ~ 50-60 Гц
Номинальная потребляемая мощность: 2200 Вт
Максимальная мощность: 2400 Вт
Максимальная производительность парообразования: до 220 г/мин.
Давление: 5,5 бар
Объём резервуара для воды: 1,5 л

УТИЛИЗАЦИЯ



В целях защиты окружающей среды, после окончания срока службы прибора и элементов питания (если входят в комплект), не выбрасывайте их вместе с обычными бытовыми отходами, передайте прибор и элементы питания в специализированные пункты для дальнейшей утилизации.

Отходы, образующиеся при утилизации изделий, подлежат обязательному сбору с последующей утилизацией в установленном порядке.

Для получения дополнительной информации об утилизации данного продукта обратитесь в местный муниципалитет, службу утилизации бытовых отходов или в магазин, где Вы приобрели данный продукт.

Производитель сохраняет за собой право изменять дизайн, конструкцию и технические характеристики, не влияющие на общие принципы работы устройства, без предварительного уведомления, из-за чего между инструкцией и изделием могут наблюдаться незначительные различия. Если пользователь обнаружил такие несоответствия, просим сообщить об этом по электронной почте info@vitek.ru для получения обновленной версии инструкции.

Срок службы устройства – 3 года



Данное изделие соответствует всем требованиям европейским и российским стандартам безопасности и гигиены.

ИЗГОТОВИТЕЛЬ: СТАР ПЛЮС ЛИМИТЕД
(STAR PLUS LIMITED)

**МЕСТОНАХОЖДЕНИЕ И ПОЧТОВЫЙ АДРЕС
ДЛЯ СВЯЗИ:** ЮНИТ БИ ЭНД СИ, 15Й ЭТАЖ,
КЭЙСИ АБЕРДИН ХАУС, №38, ХЁНГ ИП РОУД,
ВОНГ ЧУК ХАНГ, ГОНКОНГ, КНР

**ИМПОРТЕР И УПОЛНОМОЧЕННОЕ
ИЗГОТОВИТЕЛЕМ ЛИЦО:** ООО «ВИТЕК.РУС»

**МЕСТОНАХОЖДЕНИЕ И ПОЧТОВЫЙ
АДРЕС ДЛЯ СВЯЗИ:** РФ, 117452, Г. МОСКВА,
ЧЕРНОМОРСКИЙ БУЛЬВАР, ДОМ 17, КОРП. 1,
ЭТАЖ 4, ОФИС 401, КАБ. 1.
ТЕЛ.: +7 (499) 685-48-18, E-MAIL: info@vitek.ru

Ответственность за несоответствие продукции требованиям технических регламентов Таможенного союза возложена на уполномоченное изготовителем лицо.

www.vitek.ru
ТЕЛЕФОН ДЛЯ СПРАВКИ: 8-800-100-18-30
СДЕЛАНО В КНР

ҚАЗАҚША

БУ СТАНСАСЫ VT-2430

Құрылғы бұмен және құрғақтай үтіктеуге, сондай-ақ киімді, ішкімді және маталарды тігінен булауға арналған.

СИПАТТАМАСЫ

1. Үтік табаны
2. Қыздыру/бу беру режимдерін қосу батырмасы
3. Бұды тұрақты беру бекіткіші бар бу беру пернесі
4. Тұтқасы
5. Бу құбыршегі
6. Үтіктің негізі
7. Басқару/индикациялау панелі
8. Үтікті орналастыратын алаңша
9. Үтікті бұғаттаудан шығару батырмасы
10. Үтікті бұғаттау пернесі
11. Қуюға арналған саңылау қақпағы
12. Суға арналған сұқойманың тұтқасы
13. Суға арналған сұқойма
14. Желілік бауды және бу құбыршегінің орау орны

Басқару/индикациялау панелі

15. Жұмыс режимдерін таңдау/өшіру/қосу батырмасы
16. Бұдың беру қарқындылығы таңбалары
17. Үнемді бу беру режимінің таңбалары
18. Сұқоймада судың таусылу таңбасы
19. Қақтан өздігінен тазару режимінің таңбасы
20. Автосөну режимінің таңбасы

НАЗАР АУДАРЫҢЫЗ!

Қосымша қорғаныс үшін қуат тізбегіне 30 МА аспайтын номиналды іске қосылу тоғы бар қорғаныстық ажырату құрылғысын (ҚАҚ) орнатқан дұрыс болады, ҚАҚ-ты орнату үшін маманға жүгініңіз.

ҚАУІПСІЗДІК ШАРАЛАРЫ

Бу станциясын пайдалануды бастар алдында аталмыш пайдалану жөніндегі нұсқаулықты мұқият оқып шығыңыз және анықтамалық материал ретінде пайдалану үшін сақтап қойыңыз.

Құрылғыны осы нұсқаулықта баяндалғандай, тікелей мақсаты бойынша ғана пайдаланыңыз. Құрылғыны дұрыс қолданбау оның бұзылуына, және пайдаланушыға немесе оның мүлкіне зиян келтіруге әкел соғуы мүмкін және кепілдік жағдайы болып табылмайды.

- Бу станциясын қосар алдында электр желісінің кернеуі құрылғының жұмыс кернеуіне сәйкес келетініне көз жеткізіңіз.
- Желілік бау «еуроашамен» жабдықталған; оны жерге сенімді қосылған байланысы бар электр розеткасына қосыңыз.
- Өрт шығу қаупіне жол бермеу үшін бу станциясын электр розеткасына қосу кезінде өткізгіштерді қолданбаңыз.
- Электр желісіндегі жүктеме шамадан асып кетпеуі үшін көп қуатты тұтынатын бірнеше құрылғыны бір уақытта қоспаңыз.
- Құрылғыны үй-жайдан тыс жерде пайдаланбаңыз.
- Құрылғыны оңай тұтанатын сұйықтықтар пайдаланылатын немесе сақталатын жерлерде қоспаңыз және сақтамаңыз.
- Бу станциясын тегіс, тұрақты бетке орнатыңыз; құрылғыны үтіктеу тақтасына орнатпас бұрын оның беріктігі мен тұрақтылығына көз жеткізіңіз.

- Құрылғыны пайдаланар алдында, желілік бауды, бу құбыршегінің мұқият тексеріп қараңыз және олардың зақымдалмағанына көз жеткізіңіз. Егер желілік баудың немесе бу құбыршегінің зақымданулары байқалса, құрылғыны пайдаланбаңыз.
- Құралды су құйылған сыйымдылық қасында, асуілік раковинаның тікелей қасында және бассейннің жанында пайдаланбаңыз.
- Егер құрылғы суға түсіп кетсе, желілік ашаны электр розеткадан дереу суырып алыңыз, содан кейін ғана құрылғыны судан алып шығуға болады.
- Желілік бау мен бу құбыршегінің ыстық беттермен және жиһаздардың өткір жиектерімен жанасуына жол бермеңіз.
- Егер құрылғы электр розеткасына қосылған болса, оны қараусыз қалдырмаңыз. Құрылғыны әрбір тазалау алдында немесе оны пайдаланбайтын болған жағдайда, электр желісінен ажыратып отырыңыз.
- Су қолыңызбен бу станциясының корпусына, үтікке, желілік бауға немесе желілік бау ашасына тиіспеңіз.
- Электр тоғының соғу қаупін болдырмас үшін бу станциясы корпусын, үтікті, желілік бауды немесе желілік бау ашасын суға немесе басқа да сұйықтыққа батырмаңыз.

НАЗАР АУДАРЫҢЫЗ! *Үтіктің табаны және бу станциясыны жекелеген бөлшектері жұмыс кезінде қызады. Күйік алуды болдырмас үшін терінің ашық жерлерінің ыстық беттерге тікелей тиюіне жол бермеңіз, үтік табаны тесіктерінен шығатын ыстық будан сақтаныңыз.*

- Суға арналған сұқоймаға хош иістендіргіш сұйықтықтарды, сірке суын, крахмал ерітіндісін, қақтарды жоюға арналған реагенттерді, химиялық заттарды ж.т.б. құюға тыйым салынады.
- Бу станциясы корпусында орнатылған сұқоймаға су толтыратын кезде, құрылғыны өшіріз және желілік баудың ашасын электр розеткасынан суырып тастаңыз.
- Шығатын бұды адамдарға немесе жануарларға бағыттауға тыйым салынады.
- Үтік табанының бүлінуіне жол бермеу үшін металл сырғымасы немесе металл түймелері бар заттарды үтіктеген кезде абайлық сақтаңыз.
- Үзілістерде үтікті бу станциясына орнатыңыз немесе үтікті негізге қойыңыз. Жұмыс аяқталғаннан кейін, үтікті бу станциясының алаңшасына орнатыңыз және бұғаттау пернесін басу арқылы бекітіңіз.
- Құрылғыны электр желісінен ажыратқан кезде үнемді желілік бау ашасынан ұстаңыз, ешқашан желі бауынан тартпаңыз.
- Құрылғыны электр желісінен ажыратқаннан кейін ғана сұқоймадағы суды ағызыңыз.
- Құрылғыны мезгілімен тазалап тұрыңыз.
- Балалардың қауіпсіздігі үшін қаптама ретінде пайдаланылатын, полиэтилен пакеттерді қараусыз қалдырмаңыз.

Назар аударыңыз! *Балаларға полиэтилен пакеттерімен немесе қаптама үлдірімен ойнауға рұқсат етпеңіз. Тұншығу қаупі!*

- Құрылғы жұмыс істеп тұрған кезде балаларға бу станциясы корпусына, желілік бауға және желілік бау ашасына тиісуіне рұқсат етпеңіз.
- Аспаппен ойнауларына жол бермеу үшін балаларды қадағалау керек.

- Егер жұмыс істеп тұрған құрылғының маңында балалар немесе мүмкіндіктері шектеулі адамдар болса, онда ерекше назарда болыңыз.
- Берілген құрылғы балалардың пайдалануына тағайындалмаған.
- Жұмыс істеу уақытында және жұмыс циклдері арасындағы үзілістерде құрылғыны балалардың қолы жетпейтін жерде орналастырыңыз.
- Дене, сенсорлық немесе ақыл-сана мүмкіндіктері төмендетілген тұлғалардың (балаларды қоса алғанда) немесе оларда өмірлік тәжірибесі немесе білімі болмаса, егер олар бақыланбаса немесе олардың қауіпсіздігі үшін жауап беретін тұлғамен аспапты пайдалану туралы нұсқаулықтар берілмесе, аспап олардың пайдалануына арналмаған.
- Қуаттандыру бауының бүтіндігін мезгіл сайын тексеріп отырыңыз.
- Қуаттандыру бауының ашасы немесе қуаттандыру бауы зақымданған болса, егер құрылғы кідіріспен жұмыс істесе, сондай-ақ ол құлаған болса, онда құрылғыны пайдалануға тыйым салынады.
- Қуаттандыру бауы зақымданғанда қауіптілікті болдырмау үшін оны дайындаушы, сервистік қызмет немесе баламалы білікті маман ауыстыруы тиіс.
- Құрылғыны құлағаннан кейін, көзге көрінетін зақымданулар болғанда немесе судың ағуы жағдайында оны пайдаланбаңыз.
- Аспапты өз бетіңізбен жөндеуге тыйым салынады. Аспапты өздігіңізден бөлшектемеңіз, кез-келген бұзылыс пайда болғанда, сондай-ақ құрылғы құлаған жағдайда аспапты электр желісінен ажыратыңыз және кепілдік талонында және www.vitek.ru сайтына көрсетілген байланыс мекен-жайлары бойынша кез-келген авторландырылған (уәкілетті) сервистік орталыққа жүгініңіз.
- Зақымдануларға жол бермеу үшін құрылғыны тек зауыттық қаптамада тасымалдаңыз.
- Құрылғыны құрғақ, қараңғыланған және салқын, балалар мен мүмкіндіктері шектеулі адамдардың қолы жетпейтін жерде сақтаңыз.

ОСЫ ҚҰРАЛ ТЕК ТҰРМЫСТЫҚ ЖАҒДАЙЛАРДА ПАЙДАЛАНУҒА ҒАНА АРНАЛҒАН. ҚҰРЫЛҒЫНЫ КОММЕРЦИЯЛЫҚ ПАЙДАЛАНУҒА ЖӘНЕ ӨНДІ-РІСТІК АЙМАҚТАР МЕН ЖҰМЫС ҮЙ-ЖАЙЛАРЫНДА ПАЙДАЛАНУҒА ТЫЙЫМ САЛЫНАДЫ.

СУДЫ ТАҢДАУ

Резервуарды толтыру үшін суқұбырындағы суды пайдаланыңыз. Егер суқұбырындағы су кермек болса, онда оны тазартылған сумен 1:1 арақатынасы бойынша араластырыңыз, су өте кермек болған кезде оны тазартылған сумен 1:2 арақатынасы бойынша араластырыңыз немесе тек тазартылған суды пайдаланыңыз.

АЛҒАШҚЫ ПАЙДАЛАНАР АЛДЫНДА

Құрылғыны төмен температура жағдайында тасымалдаған немесе сақтаған кезде, оны бөлме температурасында үш сағаттан кем емес уақыт бойы ұстау қажет.

- Бу стансасын орамадан шығарыңыз да, оның қалыпты жұмысына кедергі келтіретін орама элементтерін алып тастаңыз.

- Үтіктің бұғаттаудан шешу батырмасын (9) басыңыз және оны бу станциясынан шешіп алыңыз.
- Үтік табанында қорғаныш (1) болған кезде қорғанышты алып тастаңыз.
- Табанды (1) таза жұмсақ матамен сүртіңіз.
- Үтік корпусын және бу станциясының корпусын жұмсақ матамен сүртіңіз.
- Электр желісінің кернеуі құрылғының жұмыс кернеуіне сәйкес келетіндігін тексеріп алыңыз.
- Құрылғыны тепіс, жылуға және ылғалға төзімді бетке орналастырыңыз, құрылғы сіздің үтіктеу тақтаңызбен бір деңгейде болатындай етіп орналастырыңыз. Бу станциясын үтіктеу тақтасына орнатқан кезде тақтаның сенімділігі мен тұрақтылығына көз жеткізіңіз.
- **Суқоймада судың қалдықтары болуы мүмкін – бұл қалыпты құбылыс, себебі өндірісте бу станциясы сапа бақылауынан өтеді.**

СУҒА АРНАЛҒАН РЕЗЕРВУАРДЫ ТОЛТЫРУ

Ескертпе: Суға арналған резервуарды (13) шешіп алмас бұрын құрылғының электр желісінен ажыратылып тұрғанын тексеріп алыңыз.

- Суға арналған суқойманы (13) шешіп алыңыз, ол үшін тұтқадан (12) ұстаңыз және суқойманы (13) өзіңізге қарай тартыңыз.
- Су құятын санылаудың қақпағын (11) ашып, резервуарға (13) су құйыңыз.
- Қақпақты (11) жабыңыз және суқойманы (13) орнына орналастырыңыз.

Жұмыс кезінде резервуарды толтыру

Егер үтіктеу кезінде суқоймадағы (13) судың деңгейі құрылғының қалыпты жұмыс істеуіне қажетті жерінен төмен түсіп кетсе, дыбыстық белгі шығады, осы ретте индикатор (18) жыпылықтай бастайды. Суды суқойманы (13) бу станциясының корпусынан шешіп алмай-ақ толтыруға болады.

- Батырманы (15) басып ұстап тұрыңыз, құрылғының өжуін күтіңіз (бұл жағдайда басқару/индикация тақтасындағы барлық индикаторлар (7) өшеді). Құрылғыны электр желісінен ажыратыңыз.
- Су құятын санылаудың қақпағын (11) ашып, абайлап резервуарға (13) су құйыңыз.

Ескертпе:

- Су құюға арналған резервуарға (13) хошистөндіргіш сұйықтықтарды, сірке суын, крахмал ерітіндісін, қақтарды кетіруге арналған реагенттерді, химиялық заттарды және т.б. құюға тыйым салынады.
- Суды МАХ белгісінен асырып құймаңыз.

ҚҰРЫЛҒЫНЫ ПАЙДАЛАНУ

- Құрылғыны тепіс, орнықты, жылуға төзімді және ылғалға төзімді бетке орналастырыңыз, құрылғы сіздің үтіктеу тақтаңызбен бір деңгейде болатындай етіңіз. Бу станциясын үтіктеу тақтасына орнатқан кезде тақтаның беріктігін және тұрақтылығын тексеріңіз.
- Алғашқы қосқан кезде үтіктің қыздырғыш элементі күйеді, сондықтан бөтен иістің пайда болуы мүмкін, бұл қалыпты жағдай.
- Қосқаннан кейін және жұмыс барысында жұмыс істеп тұрған сорғыға тән дыбыстар естіледі. Осы дыбыстар қалыпты жұмыс салдары болып табылады және бұл ақаулық емес.


ҚАЗАҚША

- Пайдалануды бастау алдында үтік табанының бу арналарын (1) және бойлерді тазалап жіберу үшін мата қиығын үтіктеп көріңіз. Бірінші рет пайдаланған кезде үтік табанының саңылауларынан (1) қалдықтар шығуы мүмкін, бұл қалыпты жағдай және ақау емес.

Назар аударыңыз! Бу станциясының корпусы, үтік орнатылатын алаңша (8), үтік табаны (1) және бу құбыршағы (5) жұмыс барысында қызады, құрылғының ыстық беттеріне қол тиізбеңіз, үтікті тұтқадан (4) ұстаңыз.

- Жұмыс барысында бу шлангының (16) бүктелмеуін және шиыршықталмауын қадағалаңыз.
- Бу стансасын бірінші рет пайдаланған кезде немесе сіз бу стансасын біраз уақыт бойы пайдаланбаған жағдайда бу жіберту пернесін (3) басқа жаққа қаратып бүркіңіз, бұл бу шлангынан (5) конденсатты алып тастауға мүмкіндік береді.
- Жұмыс барысында үтік табанының (1) тұрақты температурасы ұсталып тұрады, осы кезде индикатор (2) бірде жанып бірде сөніп тұрады.
- Бүмен үтіктеуге кіріспес бұрын, бойлердің қажетті температураға дейін қызғанын және үтік табанының (1) (батырма (2) индикаторы тұрақты жанып тұрады) қызғанын күтіңіз, өйтпесе табанның бу шығатын тесіктерінен (1) су тамшыларының ағуы мүмкін.

ҮТІКТЕУ ТЕМПЕРАТУРАСЫ

- Арнайы технология үтік табанының оңтайлы температурасын 135-тен 165 °C-ге дейінгі аралықта белгілейді, ал қарқынды шығатын бу, нәзік және тығыз маталарды тиімді үтіктеу үшін бу станциясын пайдалануға мүмкіндік береді.
- Әр кезде киімдерді үтіктеу алдында, бұйымның үтіктеу температурасы көрсетілген тілшелерге назар аударыңыз.
- Егер бұйым құлақшасында таңба  болса, онда осы бұйымды үтіктеу ұсынылмайды.
- Үтіктеу алдында заттарды үтіктеу температурасы бойынша сұрыптап алыңыз: синтетиканы – синтетикаға, жүнді – жүнге, мақтаны – мақтаға және т.с.с.
- Алдымен синтетикалық маталардан жасалған заттарды үтіктеу ұсынылады. Содан кейін жібек немесе жүн бұйымдарын үтіктеңіз. Мақта мен зығыр бұйымдарын соңғы кезекте үтіктеу қажет.
- Вельветті және басқа да тез түгі түсетін маталарды қатаң түрде бір бағытта ғана (түктің ығына қарай) сәл батыңқырап үтіктеу керек.
- Синтетикалық және жібек маталарда түгі түскен дақтардың пайда болуын болдырмас үшін оларды астары жағынан үтіктеген жөн.

БУ ЖІБЕРУ

- Жүн маталарды астарынан және беткі жағынан үтіктеуге болады, соңғы жағдайда міндетті түрде үстіне мата қойып үтіктеу қажет, (3) пернесін басып ұстап тұрыңызбу жіберуді қосыңыз. Бүмен үтіктеу бұйымдағы жылтырдың пайда болуына жол бермейді.

Бу жіберу қарқындылығын орнату

- Бу беру қарқындылығы (2 немесе 15) батырмаларымен белгіленеді. Бұдың шығу қарқындылығы таңдаңыз, осы ретте будың шығу қарқындылығы таңбалармен (16, 17) көрсетіледі.
- Индикатор (2) тұрақты жанған кезде, құрылғы пайдалануға дайын болады.

БҮМЕН ҮТІКТЕУ

- Суқоймада (13) су толғанына көз жеткізіңіз.
- Үтікті алаңшаға (8) қойыңыз.
- Желілік бау ашасын электр розеткасына сұғыңыз, бұл кезде дыбыстық белгі естіліп, батырманың (15) жарық индикаторы жанады.
- (2 немесе 15) батырмасын басу арқылы құрылғыны қосыңыз, дыбыс белгісі шығады, осы ретте батырманы (2) индикаторы жанады және жыпылықтап тұрады.
- Үтіктегі индикатор (2) тұрақты жанғанда, үтіктеуге кірісуге болады.
- Жұмыс кезінде сіз батырмаларды (2 немесе 15) басу арқылы бу түзілімі қарқындылығын таңдай аласыз, осы ретте таңбалар (16 немесе 17) жанады.
- Электр қуатын үнемдеу және су шығынын азайту үшін, сіз үнемді бу беру режимін орната аласыз, үнемді жұмыс режимі таңбамен (17) көрсетіледі.
- Буды қысқа уақыт беру үшін пернесін (3) басыңыз, буды ұзақ уақыт беру үшін пернесін (3) басыңыз және ұстап тұрыңыз. Пернені (3) басылған күйге бекіту үшін, оны басыңыз және бекіткішті сырғытыңыз, пернені (3) орнына қайтару үшін, бекіткішті кері бағытта сырғытыңыз.
- Жұмыс кезіндегі үзілістерде үтікті алаңшаға (8) немесе оның негізіне (6) орнатыңыз, үтікті алаңшаға (8) орнатпас бұрын табандағы тесіктерден (1) будың толық шығуын күтіңіз. Алаңша (8) тамшылардың жиналмауын қадағалаңыз, тамшылар пайда болған кезде оларды жұмсақ матамен немесе қағаз сулықпен сүртіп отырыңыз.
- Бу станциясын қолданғаннан кейін үтікті алаңшаға (8) орнатыңыз және бұғаттау батырмасын (10) басу арқылы бекітіңіз.
- (15) батырмасын басып, ұстап тұру арқылы құрылғыны өшіріңіз.
- Желі бауының ашасын электр розеткадан суырып аласыз.
- Құрылғының толық салқындауын күтіңіз, содан кейін суқойманы (13) шешіп алыңыз және ондағы суды төгіңіз.

ТІГІНЕН БУЛАУ

Үтікті тігінен киімен 10-30 см қалықтықта ұстаңыз және бу жіберу пернесін (3) басыңыз.

Маңызды ақпарат:

- Синтетикалық маталарды тігінен булауға болмайды.
- Ешқашан адамға кигізіліп қойған киімді буламаңыз, өйткені шығатын будың температурасы өте жоғары, ол үшін киім ілгіштерді пайдаланыңыз. Буды адамға, жануарға, өсімдікке немесе ылғалдан бүлінетін заттарға бағыттамаңыз.

ҚҰРҒАҚТАЙ ҮТІКТЕУ

- Үтіктің табаны (1) белгіленген температураға дейін қызған кезде, индикатор (2) тұрақты жанып тұрады, үтіктеуге кірісе беруге болады.
- Үтікті тұтқадан (4) ұстап тұрғанда, бу жіберу пернесін (3) баспаңыз.

АВТО ТҮРДЕ АЖЫРАТУ ҚЫЗМЕТІ

- Егер 10 минут бойы құрылғыны пайдаланбаған болсаңыз (ешбір батырманы баспасаңыз), бу жіберу пернесін (3) баспасаңыз) немесе құрылғыны «құрғақ үтіктеу» режимінде пайдалансаңыз, дыбыстық белгі

шығады, таңба (20) жыпылықтайды да, құрылғы автоматты түрде сөніп қалады.

- Құрылғыны қосу үшін батырмасын (2 немесе 15) басыңыз, табанның (1) қызуын күтіңіз және жұмысты жалғастырыңыз.

ТАЗАРТУ ЖӘНЕ КҮТІМ

Құрылғыны тазалау алдында электр желісінен ажыратып, оның толық суығанын күтіңіз.

Әр пайдаланғаннан кейін

Суға арналған резервуардан (13) суды ағызып тастаңыз.

- Суға арналған суқойманы (13) шешіп алыңыз, ол үшін тұтқадан (12) ұстаңыз және суқойманы (13) өзіңізге қарай тартыңыз.
- Қақпақты (11) ашыңыз және суға арналған резервуардан (13) суды төгіп тастаңыз, одан кейін резервуарды орнына орнатыңыз.

Мезгілімен тазалау

- Бу станциясы мен үтік корпусын сәл дымқыл матамен сүртіңіз, содан кейін құрғатып сүртіңіз.
- Үтіктің табанындағы (1) минералды шөгінділерді су-сірке су ерітіндісіне малынған матамен сүртіп тастаңыз, содан кейін табанның бетін құрғақ матамен сүртіңіз.
- Бу станциясы мен үтіктің корпусын тазарту үшін абразивті тазартқыш құралдар мен кез келген еріткіштерді пайдаланбаңыз.

Өздігінен тазару режимі

- Суқойманы (13) толтырыңыз және оны орнына орнатыңыз.
- Электр розеткасына желілік бау ашасын салыңыз, батырманы (15) 2 секунд бойы басып тұрыңыз, осы ретте өздігінен тазару режимінің таңбасы (19) жаңады. Үтіктің табаны (1) қызғаннан кейін, үтікті раковинаның үстіне көлденең ұстаңыз, содан кейін пернені (3) және батырманы (2) бірге басыңыз және басып ұстап тұрыңыз.
- Өздігінен тазару режимінде будың шығу қарқындылығының жоғарылауы қосылады, бу қайнаған сумен және қақпен бірге үтік табанының тесіктерінен (1) атқылап шығады.
- Су суқоймадан (13) шығып жатқан кезде, үтікті алғартқа аздап шайқаңыз.
- Бу беру пернесін (3) босатыңыз.
- Үтікті негізіне (6) қойыңыз және оған толық салқындауға уақыт беріңіз.
- Үтіктің табаны (1) толық суып болғаннан кейін, оны құрғақ мата бөлігімен сүртіңіз.
- Үтікті алаңшаға (8) орнатпас бұрын, үтіктің табаны (1) құрғақ екеніне көз жеткізіңіз.
- (15) батырмасын басып, ұстап тұру арқылы құрылғыны өшіріңіз.
- Желі бауының ашасын электр розеткадан суырып аласыз.

САҚТАУ

- Құрылғыны сақтауға алып қоймас бұрын құрылғының толық суығанын тексеріп алыңыз.
- Резервуардағы (13) су қалдығын төгіп тастаңыз.
- Құрылғыны тазалаңыз.

- Үтікті алаңшаға (8) орнатыңыз және оны пернесін (10) басу арқылы бұғаттаңыз.
- Желі бауы мен бу құбыршегін (5) орау орнына (14) салыңыз.
- Құрылғыны құрғақ, қараңғыланған және салқын, балалардың және мүмкіндіктері шектеулі адамдардың қолы жетпейтін жерде сақтаңыз.

ЖИНАҚТАМАСЫ

Бу станциясы – 1 дн.

Нұсқаулық – 1 дн.

ТЕХНИКАЛЫҚ СИПАТТАРЫ

Электр қуаттандыруы: 220-240 В ~ 50-60 Гц
Номиналдық тұтыну қуаты: 2200 Вт
Максималды тұтыну қуаты: 2400 Вт
Бу түзілімінің максималды өнімділігі: 220 г/мин дейін
Қысымы: 5,5 бар
Суға арналған суқойманың көлемі: 1,5 л

ҚАЙТА ӨНДЕУ



Қоршаған ортаны қорғау мақсатында, аспаптың және қуаттандыру элементтерінің (егер жинақтың құрамына кірсе) қызмет ету мерзімі аяқталғаннан кейін, оларды күнделікті тұрмыстық қалдықтармен бірге тастауға болмайды, аспап пен қуаттандыру элементтерін ары қарай көдеге асыру үшін мамандандырылған орындарға өткізу керек.

Бұйымдарды қайта өңдеу кезінде пайда болатын қалдықтар белгіленген тәртіп бойынша келесі қайта өңделетін міндетті жинауға жатады.

Берілген өнімді қайта өңдеу туралы қосымша ақпаратты алу үшін жергілікті муниципалитетке, тұрмыстық қалдықтарды қайта өңдеу қызметіне немесе берілген өнімді Сіз сатып алған дүкенге хабарласыңыз.

Дайындаушы аспапты жақсарту мақсатында, алдын-ала хабарламай, аспаптың дизайнын, конструкциясы және оның жұмыс қағидатына әсер етпейтін техникалық сипаттарын өзгерту құқығын өзіне қалдырады, соған байланысты нұсқаулық пен бұйымның арасында кейбір айырмашылықтар болуы мүмкін. Егер пайдаланушы осындай сәйкессіздіктерді анықтаса, нұсқаулықтың жаңартылған нұсқасын алу үшін сәйкессіздік туралы info@vitek.ru электрондық поштасына хабарлауыңызды сұраймыз.

Құралдың қызмет ету мерзімі – 3 жыл

Гарантиялық міндеттілігі

Гарантиялық жағдайдағы қаралып жатқан бөлшектер дилерден тек сатып алынған адамға ғана беріледі. Осы гарантиялық міндеттілігіндегі шағымдалған жағдайда төлеген чек немесе квитанциясын көрсетуі қажет.



УКРАЇНЬСКА

ПАРОВА СТАНЦІЯ VT-2430

Пристрій призначений для парового і сухого прасування, а також для вертикального відпарювання одягу, білизни та тканин.

ОПИС

1. Підшова праски
2. Кнопка увімкнення нагріву/вибору режимів подачі пари
3. Кнопка подачі пари з фіксатором постійної подачі пари
4. Ручка
5. Паровий шланг
6. Основа праски
7. Панель керування/індикації
8. Майданчик для встановлення праски
9. Кнопка розблокування праски
10. Клавіша блокування праски
11. Кришка заливального отвору
12. Ручка резервуара для води
13. Резервуар для води
14. Місце намотування мережного шнура та парового шланга

Панель керування/індикації

15. Кнопка увімкнення/вимкнення/вибору режимів роботи
16. Символи інтенсивності подачі пари
17. Символи економічного режиму подачі пари
18. Символ закінчення води у резервуарі
19. Символ режиму самоочищення від накипу
20. Символ режиму автоматичного вимкнення

УВАГА!

Для додаткового захисту доцільно в ланцюзі живлення встановити пристрій захисного відключення (ПЗВ) з номінальним струмом спрацьовування, що не перевищує 30 мА, для установки ПЗВ зверніться до фахівця.

ЗАХОДИ БЕЗПЕКИ

Перед початком експлуатації парової станції уважно прочитайте цю інструкцію з експлуатації та збережіть її для використання як довідковий матеріал.

Використовуйте даний пристрій тільки за його прямим призначенням, як вказано у цій інструкції. Неправильне поводження з пристроєм може призвести до його поломки, заподіяння шкоди користувачеві або його майну і не є гарантійним випадком.

- Перед увімкненням парової станції переконайтеся в тому, що напруга в електромережі відповідає робочій напрузі пристрою.
- Мережний шнур забезпечений євровилкою; вмикайте її в електричну розетку, що має надійний контакт заземлення.
- Щоб уникнути ризику виникнення пожежі, не використовуйте перехідники при підмиканні парової станції до електричної розетки.
- Щоб уникнути перевантаження електричної мережі, не вмикайте одночасно декілька пристроїв з великою споживаємою потужністю.
- Не використовуйте пристрій поза приміщеннями.
- Не зберігайте та не вмикайте пристрій в місцях, де зберігаються або використовуються легкозаймисті рідини.

- Установлюйте парову станцію на рівну, стійку поверхню; перш ніж установити пристрій на прасувальну дошку, переконайтеся в її надійності та стійкості.
- Перед використанням пристрою уважно огляньте мережний шнур та паровий шланг і переконайтеся в тому, що вони не пошкоджені. Якщо ви виявили пошкодження мережного шнура або парового шланга, не користуйтеся пристроєм.
- Не використовуйте пристрій поблизу посудин з водою, у безпосередній близькості від кухонної раковини або поряд з басейном.
- Якщо пристрій упав у воду, негайно вийміть мережну вилку з електричної розетки, і тільки після цього можна дістати пристрій з води.
- Не допускайте зіткнення мережного шнура та парового шланга з гарячими поверхнями та гострими крайками меблів.
- Не залишайте пристрій без нагляду, якщо він увімкнений в електричну розетку. Завжди перед чистінням або у тому випадку, якщо ви не користуєтеся пристроєм, виймайте його з електричної мережі.
- Не торкайтеся корпусу парової станції, мережного шнура та вилки мережного шнура мокрими руками.
- Щоб уникнути ураження електричним струмом, не занурюйте корпус парової станції, мережний шнур та вилку мережного шнура у воду або у будь-які інші рідини.

УВАГА! Підшова праски та деякі деталі корпусу парової станції нагріваються під час роботи. Щоб уникнути отримання опіків, не допускайте безпосереднього контакту відкритих ділянок шкіри з гарячими поверхнями, остерігайтеся виходу гарячої пари з отворів підшови праски.

- Забороняється заливати у резервуар для води ароматизувальні рідини, оцет, розчин крохмалю, реагенти для видалення накипу, хімічні речовини і т.ін.
- При наповненні водою резервуара, встановленого на корпусі парової станції, вийміть пристрій та вийміть вилку мережного шнура з електричної розетки.
- Забороняється направляти вихідну пару на людей або тварин.
- Щоб уникнути пошкодження підшови праски, будьте обережні при прасуванні речей з металевими блискавками або металевими гудзиками.
- У перервах встановлюйте праску на парову станцію або ставте праску на основу. Після закінчення роботи встановіть праску на майданчик парової станції та зафіксуйте її, натиснувши на клавішу блокування.
- При вимкненні пристрою з електричної мережі завжди тримайтеся за вилку мережного шнура і, виймаючи її з електричної розетки, ніколи не тягніть за мережний шнур.
- Зливайте воду з резервуара тільки після вимкнення пристрою та від'єднання його від електричної мережі.
- Регулярно робіть чистення пристрою.
- З міркувань безпеки дітей не залишайте поліетиленові пакети, що використовуються як упаковка, без нагляду.

Увага! Не дозволяйте дітям грати з поліетиленовими пакетами або пакувальною плівкою. **Небезпека задусання!**

- Не дозволяйте дітям торкатися корпусу парової станції, парового шланга, мережного шнура та вилки мережного шнура під час роботи пристрою.
- Діти мають перебувати під наглядом для недопущення ігор з пристроєм.
- Будьте особливо уважні, якщо поблизу від працюючого пристрою знаходяться діти або особи з обмеженими можливостями.
- Цей пристрій не призначений для використання дітьми.
- Під час роботи та у перервах між робочими циклами розміщайте пристрій у місцях, недоступних для дітей.
- Пристрій не призначений для використання особами (включаючи дітей) зі зниженими фізичними, сенсорними або розумовими здібностями або при відсутності у них життєвого досвіду або знань, якщо вони не знаходяться під контролем або не проінструктовані щодо використання пристрою особою, відповідальною за їх безпеку.
- Періодично перевіряйте цілісність шнура живлення.
- Забороняється використовувати пристрій при пошкодженні вилки шнура живлення або шнура живлення, якщо пристрій працює з перебоями, а також після його падіння.
- При пошкодженні шнура живлення його заміну, щоб уникнути небезпеки, мають робити виробник, сервісна служба або подібний кваліфікований персонал.
- Не користуйтеся пристроєм після його падіння, за наявності видимих пошкоджень або в разі протікання.
- Забороняється самостійно ремонтувати пристрій. Не розбирайте пристрій самостійно, при виникненні будь-яких несправностей, а також після падіння пристрою вимкніть пристрій з електромережі та зверніться до будь-якого авторизованого (уповноваженого) сервісного центру за контактними адресами, вказаними у гарантійному талоні та на сайті www.vitek.ru.
- Щоб уникнути пошкоджень, перевозьте пристрій тільки в заводській упаковці.
- Зберігайте пристрій у сухому, затемненому та прохолодному місці, недоступному для дітей та людей з обмеженими можливостями.

ЦЕЙ ПРИСТРІЙ ПРИЗНАЧЕНИЙ ДЛЯ ВИКОРИСТАННЯ ЛИШЕ У ПОБУТОВИХ УМОВАХ. ЗАБОРОНЯЄТЬСЯ КОМЕРЦІЙНЕ ВИКОРИСТАННЯ ТА ВИКОРИСТАННЯ ПРИСТРОЮ У ВИРОБНИЧИХ ЗОНАХ ТА РОБОЧИХ ПРИМІЩЕННЯХ.

ВИБІР ВОДИ

Для наповнення резервуару використовуйте водопровідну воду. Якщо водопровідна вода жорстка, то рекомендується змішувати її з дистильованою водою в співвідношенні 1:1, при дуже жорсткій воді змішуйте її з дистильованою водою в співвідношенні 1:2 або використовуйте тільки дистильовану воду.

ПЕРЕД ПЕРШИМ ВИКОРИСТАННЯМ

Після транспортування або зберігання пристрою при зниженій температурі необхідно витримати його при кімнатній температурі не менше трьох годин.

- Витягніть парову станцію з упаковки і видаліть елементи упаковки, що заважають її нормальної роботі.
- Натисніть кнопку розблокування праски (9) та зніміть її з парової станції.
- За наявності захисту на підшві праски (1) видаліть захист.
- Протріть підшву (1) чистою м'якою тканиною.
- Протріть м'якою тканиною корпус праски та корпус парової станції.
- Переконайтеся у тому, що напруга в електричній мережі відповідає робочій напрузі пристрою.
- Установіть парову станцію на рівну стійку, теплостійку та вологостійку поверхню так, щоб пристрій перебував на одному рівні з вашою дошкою для прасування. При установленні парової станції на прасувальній дошці переконайтеся у надійності та стійкості дошки.
- **У резервуарі можуть знаходитися залишки води – це нормально явище, так як на виробництві парова станція проходить контроль якості.**

НАПОВНЕННЯ РЕЗЕРВУАРА ДЛЯ ВОДИ

Примітка: Перш ніж зняти резервуар для води (13), переконайтеся у тому, що пристрій вимкнений із електричної мережі.

- Зніміть резервуар для води (13), узявшись за ручку (12) та потягнувши резервуар (13) на себе.
- Відкрийте кришку заливального отвору (11) та залийте воду у резервуар (13).
- Закрийте кришку (12) та установіть резервуар (13) на місце.

Наповнення резервуару під час роботи

Якщо під час прасування рівень води у резервуарі (13) опуститься нижче необхідного для нормальної роботи пристрою, прозвучить звуковий сигнал, при цьому почне блимати індикатор (18). Долити воду можна не знімаючи резервуар (13) з корпусу парової станції.

- Натисніть та утримуйте кнопку (15), дочекайтеся вимкнення пристрою (у цьому випадку всі індикатори на панелі керування/індикації (7) погаснуть).
- Вимкніть пристрій з електричної мережі.
- Відкрийте кришку заливального отвору (11) і акуратно додайте води у резервуар (13).

Примітки:

- Забороняється заливати в резервуар для води (13) ароматизуючі рідини, оцет, розчин крохмалю, реагенти для видалення накипу, хімічні речовини тощо.
- Не наливайте воду вище за відмітку «МАХ».


ВИКОРИСТАННЯ ПРИСТРОЮ

- Установіть пристрій на рівній, стійкій, теплостійкій та вологостійкій поверхні так, щоб пристрій перебував на одному рівні з вашою прасувальною дошкою. При установленні парової станції на прасувальній дошці переконайтеся у надійності та стійкості дошки.
- При першому вмиканні нагрівальний елемент праски обгорає, тому можлива поява стороннього запаху, це нормальне явище.
- Після увімкнення та у ході роботи ви почуєте характерні звуки працюючої помпи. Дані звуки є наслідком нормальної роботи і не є несправністю.

УКРАЇНЬСКА

- Перед початком експлуатації спробуйте проprasувати шматочок тканини, щоб прочистити канали підшови праски (1) та бойлер. При першому використанні можливий вихід частинок з отворів підшови праски (1), це нормально явище і не є несправністю.
- Увага!** Корпус парової станції, майданчик для установки праски (8), підшова праски (1) та паровий шланг (5) нагріваються у ході роботи, не торкайтеся гарячих поверхонь пристрою, праску тримайте тільки за ручку (4).
- Стежте за тим, щоб в процесі роботи паровий шланг (5) не перегинався і не перекручувався.
- При першому використанні парової станції або у тому випадку, якщо ви не користувалися паровою станцією деякий час, натисніть кілька разів на клавішу подачі пари (3), направляючи пару у бік від близни, це дозволить видалити конденсат з парового шланга (5).
- У ході роботи підтримується постійна температура підшови праски (1), при цьому індикатор (2) періодично засвічується та гасне.
- Перш, ніж приступати до парового prasування, дочекайтеся розігрівання бойлера до необхідної температури та розігрівання підшови праски (1) (індикатор кнопки (2) світитиметься постійно), інакше можливе витікання крапель води з парових отворів підшови (1).

ТЕМПЕРАТУРА ПРАСУВАННЯ

- Спеціальна технологія визначає оптимальну температуру підшови праски у межах від 135 до 165 °C, а інтенсивно вихідна пара дозволяє використовувати парову станцію для ефективного prasування делікатних та щільних тканин.
- Завжди перед prasуванням речей дивіться на ярлик виробу, де вказана рекомендована температура prasування.
- Якщо на ярлику виробу є символ , то даний виріб prasувати не рекомендується.
- Перед prasуванням відсортуйте речі за температурою prasування: синтетичну - до синтетички, вовну - до вовни, бавовну - до бавовни і т.ін.
- Спочатку рекомендується prasувати речі з синтетичних тканин. Після чого приступайте до prasування шовкових або вовняних виробів. Вироби з бавовни та льону слід prasувати в останню чергу.
- Вельветові і інші тканини, які швидко починають лисніти, слід prasувати строго в одному напрямі (у напрямі ворсу) з невеликим натиском.
- Щоб уникнути появи лисночух плям на синтетичних і шовкових тканинах, їх слід prasувати з виворітного боку.

ПОДАЧА ПАРИ

- Вовняні речі можна prasувати як з вивороту, так і з лицевого боку, але в останньому випадку prasувати слід обов'язково через тканину, вмийкайте при цьому подачу пари, натискаючи та утримуючи клавішу (3). Парове prasування допоможе уникнути з'явлення блиску на виробі.

Установлення інтенсивності подачі пари

- Інтенсивність подачі пари встановлюється кнопками (2 або 15). Виберіть інтенсивність виходу пари, при цьому інтенсивність виходу пари відображається символами (16, 17).

- Пристрій готовий до використання, коли індикатор (2) світиться постійно.

ПАРОВЕ ПРАСУВАННЯ

- Переконайтеся у тому, що резервуар (13) наповнений водою.
- Поставте праску на майданчик (8).
- Вставте вилку мережного шнура в електричну розетку, прозвучить звуковий сигнал, і засвітиться світловий індикатор кнопки (15).
- Увімкніть пристрій, натиснувши на кнопку (2 або 15), прозвучить звуковий сигнал, при цьому засвітиться та блиматиме індикатор кнопки (2).
- Коли індикатор (2) на праці світитиметься постійно, можна приступати до prasування.
- Під час роботи ви можете вибрати інтенсивність пароутворення натисненням кнопок (2 або 15), при цьому засвічуватимуться символи (16 або 17).
- З метою економії електроенергії та зменшення витрати води, ви можете встановити економічний режим подачі пари, економічний режим роботи відображається символом (17).
- Для короткочасної подачі пари натисніть на клавішу (3), для тривалої подачі пари натисніть на клавішу (3) та утримуйте її. Для фіксації клавіші (3) у натиснутому положенні, натисніть на неї та зсуньте фіксатор, для повернення клавіші (3) зсуньте фіксатор у зворотному напрямку.
- У перервах в роботі встановлюйте праску на майданчик (8) або на її основу (6), перед установленням праски на майданчик (8) дочекайтеся повного виходу пари з отворів підшови (1). Наглядайте за тим, щоб на майданчиків (8) не скупчувалися краплі води, при утворенні крапель витирайте їх м'якою тканиною або паперовою серветкою.
- Після використання парової станції встановіть праску на майданчик (8) та зафіксуйте її, натиснувши клавішу блокування (10).
- Вимкніть пристрій, натиснувши та утримуючи кнопку (15).
- Витягніть вилку мережного шнура з електричної розетки.
- Дочекайтеся повного остигання пристрою, потім зніміть резервуар (13) та вилийте з нього воду.

ВЕРТИКАЛЬНЕ ВІДПАРЮВАННЯ

Тримайте праску вертикально на відстані 10-30 см від одягу і натискайте на клавішу подачі пари (8).

Важлива інформація

- Не рекомендується виконувати вертикальне відпарювання синтетичних тканин.
- Ніколи не відпарюйте одяг, надітий на людину, оскільки температура пари, що виходить, дуже висока, користуйтеся плічками або вішалкою. Не направляйте пару на людей, рослини, тварин або на предмети, які можуть бути пошкоджені вологою.

СУХЕ ПРАСУВАННЯ

- Коли підшова праски (1) нагріється до заданої температури, індикатор (2) світитиметься постійно, можна приступати до prasування.
- Утримуючи праску за ручку (4), не натискайте на клавішу подачі пари (3).

ФУНКЦІЯ АВТОВИМКНЕННЯ

- Якщо протягом 10 хвилин ви не користувалися пристроєм (не натискали будь-яких кнопок, не натискали кнопку подачі пари (3)) або використовували пристрій у режимі «сухе прасування», прозвучать звукові сигнали, символ (20) блиматиме, і пристрій автоматично вимкнеться.
- Для увімкнення пристрою натисніть кнопку (2 або 15), дочекайтеся нагрівання підшови (1) та продовжуйте роботу.

ЧИЩЕННЯ ТА ДОГЛЯД

Перед чищенням пристрою вимкніть пристрій з електричної мережі та дочекайтеся його повного остигання.

Після кожного використання

- Зливайте воду з резервуара для води (13).
- Зніміть резервуар для води (13), узявшись за ручку (12) та потягнувши резервуар (13) на себе.
 - Відкрийте кришку (11) та вилийте воду з резервуару для води (13), потім встановіть резервуар на місце.

Регулярне чищення

- Протріть корпус парової станції та праски злегка вологою тканиною, після цього витріть насухо.
- Мінеральні відкладення на підшві праски (1) видавіть тканиною, змоченою в водно-оцтовому розчині, потім протріть поверхню підшови сухою тканиною.
- Не використовуйте для чищення корпусу парової станції та праски абразивні засоби та будь-які розчинники.

Режим самоочищення

- Наповніть резервуар (13) та установіть його на місце.
- Вставте вилку мережного шнура в електричну розетку, натисніть та утримуйте кнопку (15) протягом 2 секунд, при цьому засвітиться символ режиму самоочищення (19).
- Після нагрівання підшови праски (1) розташуйте праску горизонтально над раковиною, потім одночасно натисніть та утримуйте клавішу (3) та кнопку (2).
- В режимі самоочищення вмикається підвищена інтенсивність виходу пари, пара разом з окропом та накипом викидатимуться з отворів підшови праски (1).
- Злегка погойдуйте праску вперед-назад, поки вода виходить з резервуара (13).
- Відпустіть клавішу подачі пари (3).
- Поставте праску на основу (6) та дайте їй повністю остигнути.
- Коли підшовка праски (1) повністю остигне, протріть її шматочком сухої тканини.
- Перш ніж установити праску на майданчик (8) переконайтеся, що підшовка праски (1) суха.
- Вимкніть пристрій, натиснувши та утримуючи кнопку (15).
- Витягніть вилку мережного шнура з електричної розетки.

ЗБЕРІГАННЯ

- Перш ніж прибрати пристрій на зберігання, переконайтеся у тому, що пристрій повністю остигнув.

- Злийте залишившуся воду з резервуара (13).
- Зробіть чищення пристрою.
- Праску установіть на майданчик (8) та заблокуйте її, натиснувши клавішу (10).
- Укладіть мережний шнур та паровий шланг (5) у місце для намотування (14).
- Зберігайте пристрій у сухому, затемненому та прохолодному місці, недоступному для дітей та людей з обмеженими можливостями.

КОМПЛЕКТАЦІЯ

Парова станція – 1 шт.
Інструкція – 1 шт.

ТЕХНІЧНІ ХАРАКТЕРИСТИКИ

Електроживлення: 220-240 В ~ 50-60 Гц
Номинальна споживана потужність: 2200 Вт
Максимальна споживана потужність: 2400 Вт
Максимальна продуктивність пароутворення: до 220 г/хв.
Тиск: 5,5 бар
Об'єм резервуара для води: 1,5 л

УТИЛІЗАЦІЯ



Для захисту навколишнього середовища після закінчення терміну служби пристрою та елементів живлення (якщо входять до комплекту) не викидайте їх разом зі звичайними побутовими відходами, передайте пристрій та елементи живлення у спеціалізовані пункти для подальшої утилізації.

Відходи, що утворюються при утилізації виробів, підлягають обов'язковому збор з подальшою утилізацією установленим порядком.

Для отримання додаткової інформації про утилізацію даного продукту зверніться до місцевого муніципалітету, служби утилізації побутових відходів або до крамниці, де Ви придбали цей продукт.

Виробник зберігає за собою право змінювати дизайн, конструкцію та технічні характеристики, які не впливають на загальні принципи роботи пристрою, без попереднього повідомлення, через що між інструкцією та виробом можуть спостерігатися незначні відмінності. Якщо користувач виявив такі невідповідності, просимо повідомити про це по електронній пошті info@vitek.ru для отримання оновленої версії інструкції.

Термін служби пристрою – 3 роки

Гарантія

Докладні умови гарантії можна отримати в дилера, що продав дану апаратуру. При пред'явленні будь-якої претензії протягом терміну дії даної гарантії варто пред'явити чек або квитанцію про покупку.



Даний продукт відповідає вимогам Директиви 2014/30/ЄС щодо електромагнітної сумісності та Директиви 2014/35/ЄС щодо низьковольтного обладнання.

КЫРГЫЗ

БУУ СТАНЦИЯСЫ VT-2430

Түзмөк буу менен, кургак үтүктөгө жана кийимдерди, кездемелерди вертикалдуу бууга кармоого арналган.

СЫПАТТАМА

1. Үтүктүн таманы
2. Ысытууну иштетүү/буу берүү режимдерин таңдоо баскычы
3. Буу берүү баскычы бууну үзгүлтүксүз берүү бекитмеси менен
4. Тутка
5. Буу берүүчү түтүкчө
6. Үтүктүн түбү
7. Башкаруу/индикациялоо панели
8. Үтүктү орнотуу үчүн аянтча
9. Үтүктүн блокирлөөсүн чечүү баскычы
10. Үтүктү блокирлөө баскычы
11. Суу куюучу тешиктин капкагы
12. Суу куюла турган чукурдун туткасы
13. Суу үчүн чукур
14. Тармактык шнуру менен буу түтүкчөнү түрүп жыйноо жайы

Башкаруу/индикациялоо панели

15. Иштетүү/өчүрүү/иштөө режимдерин таңдоо баскычы
16. Буу чыгуунун интенсивдүүлүктүн белгилери
17. Буу берүүнүн экономдуу режиминин белгилери
18. Чукурдагы суунун бүтүүсүнүн индикатору
19. Өзүн өзү кезбээрден тазалоо режиминин белгиси
20. Автоматтык түрдө өчүү режиминин белгиси

КӨҢҮЛ БУРУҢУЗ!

Кошумча коргоону үчүн электр тармагында потенциалдуу иштеткен тогу 30 МА ашырбаган коргоп өчүрүүчү түзмөгүнүн (КӨТ) орнотулушу максатка ылайыктуу, аспапты орнотуу үчүн адиске кайрылыңыз.

КООПСУЗДК ЧАРАЛАРЫ

- Буу станциясын пайдалануудан мурун колдонмону көңүл коюп окуп-үйрөнүп, маалымат катары сактап алыңыз. Түзмөктү түздөн-түз арналышы боюнча гана, ушул колдонмодо баяндалганга ылайык колдонуңуз. Түзмөктү туура эмес пайдалануу анын бузулуусуна, колдонуучуга же колдонуучунун мүлкүнө зыян келтирүүгө алып келиши мүмкүн.
- Шайманды иштеткенден мурун шаймандын иштөөчү чыңалуусу электр тармагынын чыңалуусуна ылайык болгонун текшерип алыңыз.
 - Электр шнуру «европалык сайгычы» менен жабдылган; аны бекем жердетүү контакты бар розеткасына туташтырыңыз.
 - Өрт коркунучун жоюу үчүн аспапты электр розеткасына туташтырганда кошуучу түзүлмөлөрдү колдонбоңуз.
 - Электр тармагына күч келип кетпешин үчүн электр кубатын көп керектеген бир нече шайманды бир эле маалда сайганга болбойт.
 - Түзмөктү имараттардын сыртында колдонбоңуз.
 - Шайманды аэрозолдорду чачкан же жеңил жалындап кетүүчү суюктуктар колдонулган жерлерде колдонбоңуз.
 - Буу станциясын тегиз, туруктуу беттин үстүнө орнотуңуз; түзмөктү үтүктөө тактайына орнотуудан

мурун ал туруктуу жана бекем турганын текшерип алыңыз.

- Шайманды колдонуунун алдында электр шнурун, буу ийкем түтүгүн көңүл буруп изилдеп, бузулуулары жок болгонун текшерип алыңыз. Электр шнурунун же буу ийкем түтүгүнүн бузулууларын тапсаңыз, шайманды колдонбоңуз.
- Шайманды суу толтурулган идиштердин жанында, ашкана раковинанын тикеден тике жакынчылыгында же бассейндин жанында колдонбоңуз.
- Түзмөк сууга түшкөн болсо, дароо тармактык айрысын электр розеткасынан сууруп, андан кийин гана түзмөктү суудан чыгарсаңыз болот.
- Тармактык шнурун же буу түтүкчөнү ысык беттерге же эмеректин учтуу кырларына тийгизбеңиз.
- Түзмөк электр розеткасына кошулган болгондо аны кароосуз калтырбаңыз. Түзмөктү тазалаган жана колдонбогон учурларда аны ар дайым электр тармагынан суруңуз.
- Буу станциясынын корпусуна, үтүккө, электр шнуруна жана тармактык шнурдун айрысына суу колуңуз менен тийбеңиз.
- Ток урбас үчүн буу станциясынын корпусун, үтүктү, электр шнурун жана тармактык шнурдун айрысын сууга же башка суюктуктарга салбаңыз.

КӨҢҮЛ БУРУҢУЗ! *Үтүктүн таманы жана буу станциянын корпусунун өзүнчө бөлүктөрү иштөө убагында ысыйт. Күйүк албоо үчүн дененин ачык жерлерин ысык беттерге тийгизбеңиз, үтүктүн таманынын тешиктеринен чыгып жаткан буудан сак болуңуз.*

- Суу куюлуучу чукурга жыттуу суюктуктарды, сиркени, крахмал эритмесин, кезбээрди кетируүчү ре-агенттерди, химиялык каражаттарды ж. б. куюуга тыюу салынат.
- Бойлердин корпусунда орнотулган чукурду суу менен толтурганда ар дайым тармактык шнурдун айрысын электр розеткасынан суруңуз.
- Чыгып турган бууну адамга же жаныбарларга багыттоого тыюу салынат.
- Үтүктүн тамандын бузулуусуна жол бербөө үчүн металлдан жасалган сыдырмалары же топчулары бар нерселерди үтүктөгөндө этият болуңуз.
- Тыныгууларда үтүктү буу станциясына орнотуңуз же үтүктү түбүнө коюңуз. Иштетип бүткөндө үтүктү буу станциясынын аянтчасына орнотуп, блокирлөө баскычын басып, аны бекитип алыңыз.
- Түзмөктү электр тармагынан суурганда аны шнурду кармап эч качан тартпаңыз, айрысынан кармап розеткадан чыгарыңыз.
- Чукурдагы сууну түзмөктү өчүрүп, аны электр тармагынан ажыраткандан кийин гана төгүңуз.
- Шайманды мезгилдүү түрдө тазалап туруңуз.
- Балдардын коопсуздугу үчүн таңгак катары колдонулган полиэтилен баштыктарды кароосуз таштабаңыз.

Көңүл буруңуз! *Балдарга полиэтилен баштыктары же таңгактоочу пленка менен ойноого уруксат бербейиз. Бул тумчуугуунун коркунучун жаратат!*

- Түзмөк иштеген учурда балдарга түзмөктүн корпусун, электр шнурун жана кубаттуучу сайгычын тийгенге уруксат бербейиз.
- Балдар түзмөк менен ойногонго жол бербегени үчүн аларга көз салуу зарыл.

- Иштеп жаткан шаймандын жанында балдар же мүмкүнчүлүгү чектелген адамдар жүрсө, өтө этият болуңуз.
- Бул түзмөк балдар колдонгону үчүн арналган эмес.
- Шайман иштеп турганда же иштөө циклдердин арасында аны балдар жетпеген жерде сактаңыз.
- Бул шайман дене күчү, сезими же акыл-эси жагынан жөндөмдүүлүгү чектелген (ошонун ичинде балдар да) адамдар же колдонуу боюнча тажрыйбасы же билими жок болгон адамдар, эгерде алардын коопсуздугуна жооптуу адам аларды көзөмөлдөп же нускамалоо болбосо колдонуу үчүн ылайыкташтырылган эмес.
- Электр шнурунун бүтүндүгүн мезгилдүү түрдө текшерип туруңуз.
- Электр шнурунда, тармактык айрысында бузулуулар пайда болсо, түзмөк иштеп-иштебей турса же кулап түшкөндөн кийин аны колдонууга тыюу салынат.
- Электр шнуру бузук болгондо коопчулуктарга жол бербегени үчүн аны өнүктүрүүчү, тейлөө кызмат же аларга окшогон дасыккан кызматкерлер алмаштырууга тийиш.
- Үтүк кулап түшкөндөн кийин, көзгө көрүнүүчү бузулуулар болсо же суусу агып турса үтүктү колдонбоңуз.
- Шайманды өз алдынча оңдогонго тыюу салынат. Шайманды өз алдынча ажыратпай, ар кыл бузулуулар пайда болгон же шайман кулап түшкөн учурларда аны розеткадан суруп, кепилдик талонундагы же www.vitek.ru сайтындагы тизмесине кирген автордоштурулган (ыйгарым укуктуу) тейлөө борборунан кайрылыңыз.
- Бузулуулар пайда болбоо үчүн шайманды заводдук таңгагында гана транспорттоо зарыл.
- Чаң соргучту балдар жана жөндөмдүүлүгү чектелген адамдар колу жетпеген жерлерде сактаңыз.

БУЛ ТҮЗМӨК ТУРМУШ-ТУРУКТУУ ШАРТТАРДА КОЛДОНГОНУ ҮЧҮН ГАНА АРНАЛГАН. ШАЙМАНДЫ КОММЕРЦИЯЛЫК ПАЙДАЛАНУУГА ЖАНА ӨНДҮРҮШ ЗОНАЛАРДА ЖАНА ЖУМУШЧУ ИМАРАТТАРДА ТҮЗМӨКТҮ ИШТЕТҮҮГӨ ТЫЮУ САЛЫНАТ.

СУУНУ ТАНДОО

Чукурду толтуруу үчүн суутүткөтөгү сууну пайдаланыңыз. Суу түтүктөгү суу катуу болсо, аны буусу менен 1:1 катышында аралаштырыңыз, суу абдан катуу болсо аны буусу менен 1:2 катышында аралаштырып же жалаң гана буусууну колдонуңуз.

БИРИНЧИ КОЛДОНУУНУН АЛДЫНДА

Төмөндөгөн температурада түзмөктү транспорттоодон же сактоодон кийин аны үч сааттан кем эмес мөөнөткө үй температурасында сактоо зарыл.

- Буу станциясын таңгактан чыгарыңыз жана анын иштешине тоскоол болуучу таңгактоо элементтерин алып салыңыз.
- Үтүктүн блокирлөөсүн чечүү баскычын (9) басып, аны буу станциясынан алыңыз.
- Үтүктүн таманындагы (1) коргоону алып салыңыз.
- Үтүктүн таманын (1) жумшак таза кездеме менен сүртүңүз.
- Үтүктүн корпусун жана буу станциясынын корпусун жумшак кездеме менен сүртүңүз.

- Түзмөктү иштеткендин алдында иштөө чыңалуусу электр тармагындагы чыңалуусуна ылайык болгонун текшериниз.
- Шайманды тегиз туруктуу жылуулукка чыдамдуу жана сууга чыдамдуу бетке, түзмөк сиздин үтүктөгүч тактаңыз менен бир деңгээлде болгондой орнотунуз. Буу станцияны үтүктөгүч тактада орнотууда тактанын ишеничтүүлүгүнө жана туруктуулугуна ынаныңыз.
- **Чукурдун ичинде калган суу бар болуу мүмкүн, бул нормалдуу көрүнүш, себеби шайман заводдо сапат текшерүүдөн өткөн.**

СУУ ЧУКУРДУ ТОЛТУРУУ

Эскертүү: Сууну чукурду (13) чечээрдөн мурда түзмөк электр тармагынан ажыратылгандыгына ынаныңыз.

- Суу чукурду (13) туткасынан (12) кармап, өзүңүзгө тартып, чукурду (13) чечиңиз.
- Куюуучу тешиктин (11) капкагын ачыңыз жана сууну чукурга (13) куюңуз.
- Капкакты (11) жабып, чукурду (13) ордуна орнотуңуз.

Иштөө убагында чукурду толтуруу

Эгерде үтүтөө убагында чукурдагы (13) суу түзмөктүн нормалдуу иштөөсү үчүн зарыл болгон деңгээлден төмөн түшсө, үн ишарат белгиси чыгат, бул учурда индикатор (18) бүлбүлдөй баштайт. Чукурду (13) буу станциясынын корпусунан чечпей сууну кошуп куйсаңыз болот.

- Баскычты (15) басып кармап туруңуз, түзмөктүн өчүшүн күтүңүз (бул учурда башкаруу/индикациялоо панелиндеги (7) бардык индикаторлор өчүшү керек). Түзмөктү электр тармагынан өчүрүңүз.
- Куюуучу тешиктин (11) капкагын ачыңыз жана сууну чукурга абайлап (13) куюңуз.

Эскертүү:

- Суу куюлуучу чукурга (13) жыттуу суюктуктарды, сиркени, крахмал эритмесин, кебээрди кетириүүчү реагенттерди, химиялык каражаттарды ж. б. куюуга тыюу салынат.
- Сууну максималдуу «МАХ» белгисинен ашырып куйбаңыз.

ТҮЗМӨКТҮ КОЛДОНУУ

- Түзмөктү тегиз туруктуу жылуулукка чыдамдуу жана сууга чыдамдуу бетке, түзмөк сиздин үтүктөгүч тактаңыз менен бир деңгээлде болгондой орнотуңуз. Буу станцияны үтүктөгүч тактада орнотууда тактанын ишеничтүүлүгүнө жана туруктуулугуна ынаныңыз.
- Биринчи иштеткенде үтүктүн ысытуучу элементтердин үстүнкү катмары күйүп, бир аз түтүн же башкача жыт чыгуу мүмкүн, бул нормалдуу көрүнүш.
- Күйгүзгөндө жана иштеп жатканда сиз иштеп жаткан соркыксычтын мүнөздүү үндөрүн угасыз. Бул үндөр нормалдуу иштөөнүн натыйжасы жана бузулуу болуп саналбайт.
- Үтүктүн таманынын каналдарын (1) жана бойлерди тазалоо үчүн, пайдалануудан мурда кездеменин кесиндиси үтүктөп көрүңүз, Биринчи жолу пайдаланууда үтүктүн таманынын (1) тешиктеринен бөлүкчөлөрдүн чыгышы мүмкүн, бул ченемдүү нерсе жана бузулуу болуп саналбайт.

Көңүл буруңуз! Буу станциясынын корпусу, үтүктү орнотуучу аянтча (8), үтүктүн таманы (1) жана буу

КЫРГЫЗ

ийкем түтүү (5) иштөө убагында ысык баштайт, түзмөктүн ысык беттерине тийбөңүз, үтүктү туткасынан (4) гана кармаңыз.

- Иштеп жатканда буу ийкем түтүү (5) ийилип жана буралып калбагынын караңыз.
- Буу станциясын биринчи жолу пайдаланганда же буу станциясын бир нече убакыт колдонбосонуз буу берүүчү баскычты (3) бир нече жолу башка жакка каратып басыңыз, бул ийкем түтүктөн (5) конденсатты чыгарууга мүмкүндүк берет.
- Иштөө убагында үтүктүн таманынын (1) туруктуу температурасы сакталат, бул учурда индикатор (2) мезгили менен күйөт жана өчөт.
- Буу менен үтүктүүдөн мурда бойлердин керектүү температурага чейин ысышын жана үтүктүн таманын (1) ысышын күтүңүз (баскычтын (2) индикатору дайыма күйүп калат), болбосо тамандын (1) буу тешиктөрүнөн суунун тамчылары чыгышы мүмкүн.

ҮТҮКТӨӨ ТЕМПЕРАТУРАСЫ

- Атайын технология үтүктүн таманынын оптималдуу температурасын 135тен 165 °Сге чейин аныктайт жана интенсивдүү чыккан буу назик жана тыгыз кездемелерди натыйжалуу үтүктөө үчүн буу станциясын колдонууга мүмкүндүк берет.
- Үтүктөгөндөн мурун ар нерсени ылайыктуу үтүктөө температурасы жазылган белгисин ар дайым карап алыңыз.
- Кийимдин ярлыгында  белгиси бар болсо, аны үтүктөсө болбойт.
- Биринчиден кийимди үтүктөө температурасына ылайыктуу бөлүштүрүп алыңыз: синтетиканы синтетикага, жүндү жүнгө, кебезди кебезге ж.б.
- Синтетикалык кездемелерден жасалган буюмдарды биринчиден үтүктөө кеңештелет. Андан соң жибек же жүн буюмдарын үтүктөп баштасаңыз болот. Кебез жана зыгыр кездемелерди эң акырында үтүктөсөңүз болот.
- Вельвет жана башка тез жалтырап баштаган кездемелерди үтүктөгөндө үтүктү бир тарабына (түгү боюнча) жылдырып бир аз басымы менен үтүктөңүз.
- Синтетика жана жибек кездемелерде жалтыраган тактарды калтырбоо үчүн аларды ички жагынан үтүктөө зарыл.

БУУ БЕРҮҮ

- Жүндөн жасалган кийимдерди ичинен да сыртынан да үтүктөсө болот, бирок акыркы учурда сөзсүз кездеме аркылуу үтүктөө керек, баскычты (3) басып кармап туруп буу берүүнүн күйгүзүңүз. Буу менен үтүктөө кийимде жылтыроонун пайда болуусун болтурбоого жардам берет.

Буу берүүнүн интенсивдүүлүгүн орнотуу

- Буу берүүнүн күчү баскычтар (2 же 15) аркылуу таңдалат. Буу берүүнүн күчүн таңдаңыз, ошондо буу берүүнүн күчү белгилери (16, 17) аркылуу көрсөтүлөт.
- Индикатор (2) дайыма күйгөндө түзмөк пайдаланууга даяр болот.

БУУ МЕНЕН ҮТҮКТӨӨ

- Чукур (13) суу менен толтурулгандыгына ынаныңыз.
- Үтүктү аянтчага (8) коюңуз.

- Тармактык боонун сайгычын электр розеткасына сайыңыз, үн белгиси пайда болуп, баскычтын (15) индикатору күйөт.
- Баскычты (2 же 15) басып түзмөктү иштетиңиз, үн белгиси пайда болуп, баскычтын (2) индикатору бүлбүлдөп турат.
- Үтүктөгү индиатор (2) дайыма күйүп турганда, үтүктөөнү баштаса болот.
- Иштетүү убагында (2 же 15) баскычтарды басып, буу пайда болуунун интенсивдүүлүгүн таңдасаңыз болот, ошондо белгилер (16 же 17) пайда болуп турат.
- Электр энергиясын сактоо жана суунун чыгашасын азайтуу максатында сиз буу берүүнүн экономдуу режимин койсоңуз болот, экономдуу режими (17) белгиси менен белгиленет.
- Бууну кыска мөөнөткө берүү үчүн баскычты (3) басыңыз, бууну көпкө чейин берүү үчүн баскычты (3) басып, кармап туруңуз. Баскычты (3) басылган абалында бекитүү үчүн аны басып, бекитмесин жылдырып алыңыз, баскычты (3) кайтып өчүрүү үчүн бекитмени артка жылдырыңыз.
- Иштеп жатканда тыныгуу учурунда үтүктү аянтчага (8) же анын негизине (6) орнотуңуз, үтүктү аянтчада (8) орнотуудан мурда тамандын (1) тешиктөрүнөн буунун толук чыгышын күтүңүз. Аянтчада (8) тамчы топтолбогондугун караңыз, тамчы пайда болгондо аны жумшак же кагаз салфетка менен жүртүңүз.
- Буу станциясын иштетүүдөн кийин үтүктү аянтчага (8) орнотуп, аны бекитүү баскычы (10) менен бекитип алыңыз.
- Баскычты (15) басып туруп, түзмөктү өчүрүңүз.
- Электр шнурунун сайгычын розеткадан сууруңуз.
- Түзмөктүн толук муздаганын күтүңүз, андан кийин чукурду (13) чечиңиз жана андан сууну төгүп салыңыз.

ТИК БУУЛАНТУУ

Үтүктү кийимден 10-30 см аралыкта вертикалдуу кармаңыз жана буу берүүчү баскычты (3) басыңыз.

Маанилүү маалымат

- Синтетикалык кездемелерди тик буулантуу сунушталган эмес.
- Адам кийип турган кийимди эч качан буулантпаңыз, себеби чыккан буунун температурасы өтө чоң, кийим илгичти колдонуңуз. Бууну адамдарга, өсүмдүктөргө, жаныбарларга же ным зыян кыла турган буюмдарга багыттаганга болбойт.

КУРГАК ҮТҮКТӨӨ

- Үтүктүн таманы (1) коюлган температурасына чейин ысыганда, индикатору (2) дайыма күйүп турат, үтүктөп баштасаңыз болот.
- Үтүктү туткасынан (4) кармап, буу берүү баскычын (3) баспаңыз.

АВТОӨЧҮРҮҮ ФУНКЦИЯСЫ

- Эгерде 10 мүнөттүн ичинде сиз түзмөктү колдонбосоңуз (кандайдыр бир баскычтарды баспасаңыз, буу берүү баскычын (3) баспасаңыз) же түзмөктү «куркак үтүктөө» режиминде

- пайдалансаңыз, үн белгилери пайда болуп, (20) белгиси бүлбүлдөп, түзмөк автоматтык түрдө өчөт.
- Түзмөктү иштетүү үчүн (2 же 15) баскычты басыңыз, таманы (1) ысыганын күтүп, иштетүүнү улантсаңыз болот.

ТАЗАЛОО ЖАНА КАМ КӨРҮҮ

Түзмөктү тазалагандын алдында аны электр тармагынан суруп, толугу менен муздатып алыңыз.

Ар бир пайдалануудан кийин

Суу чукурундагы (13) сууну төгүңүз.

- Суу чукурун (13) туткасынан (12) кармап, өзүңүзгө тартып, чукурду (13) чечиңиз.
- Капкакты (11) ачыңыз жана суу чукурундагы (13) сууну төгүңүз, андан кийин чукурду ордуна орнотуңуз.

Үзгүлтүксүз тазалоо

- Үтүктүн корпусун жумшак, бир аз нымдуу чүпүрөк менен сүртүп, андан кийин кургатып сүртүңүз.
- Үтүктүн таманындагы (1) катмарларды суу-сирке эритмесинде сууланган кездеме менен алып салыңыз, андан кийин тамандын бетин кургак кездеме менен сүртүңүз.
- Үтүктүн таманын тазалоо үчүн абразивдүү жуучу каражаттарды же эриткичтерди колдонбоңуз.

Өзүн өзү тазалоо режими

- Чукурду (13) толтуруп, ордуна коюңуз.
- Тармактык шнурдун сайгычын электр розеткасына туташтырып, баскычты (15) 2 секунданын ичинде басып туруңуз, ошондо өзүн өзү тазалоо режиминин белгиси (19) күйөт.
- Үтүктүн таманы (1) ысыганда, үтүктү горизонталдуу түрдө раковинанын үстүндө кармап, андан кийин бир эле мезгилде клавишасын (3) жана баскычын (2) басып, кармап туруңуз.
- Өзүн өзү тазалоо режиминде буу жогорулатылган күчү менен берилет, кайнап турган суу жана кебээр кошулган буу үтүктүн таманындагы (1) тешиктерден чыгып турат.
- Чукурдан (13) болгон суусу агылып чыкканга чейин үтүктү бир аз алга-артка терметип туруңуз.
- Буу берүү баскычын (3) бошотуңуз.
- Үтүктү негизине (6) коюп муздатып алыңыз.
- Үтүктүн таманы (1) муздагандан кийин аны кургак чүпүрөк менен сүртүңүз.
- Үтүктү аянтчасына (8) коюунун алдында үтүктүн таманы (1) кургак болгонун текшерип алыңыз.
- Баскычты (15) басып туруп, түзмөктү өчүрүңүз.
- Электр шнурунун сайгычын розеткадан сууруңуз.

САКТОО

- Түзмөктү сактаганга алып коюудан мурун, түзмөк толугу менен муздагандыгына ынаныңыз.
- Чукурдагы (13) калып калган сууну төгүп салыңыз.
- Түзмөктү тазалап коюңуз.
- Үтүктү аянтчасына (8) орнотуп, баскычты (10) басып бекитип алыңыз.

- Тармактык боосу менен буу түтүкчөсүн (5) түрүп жыйноо жайына (14) жыйнап алыңыз.
- Түзмөктү балдар жана жөндөмдүүлүгү чектелген адамдардын колу жетпеген жерлерде сактаңыз.

ЖАБДЫКТЫН ЖЫЙЫНТЫГЫ

Буу станциясы – 1 даана.

Колдонмо – 1 даана.

ТЕХНИКАЛЫК МҮНӨЗДӨМӨСҮ

Электр азыгы: 220-240 В ~ 50-60 Гц

Номиналдуу иштетүү кубаттуулугу: 2200 Вт

Максималдуу керектелүүчү кубаттуулук: 2400 Вт

Буу пайда кылуунун максималдуу

өндүргүчтүгү: 220 г/мүн. чейин

Басымы: 5,5 бар

Суу куюлуучу идиштин көлөмү: 1,5 л

УТИЛИЗАЦИЯЛОО



Айлана чөйрөөнү коргоо максатында шайман менен азыктандыруучу элементтердин (эгерде топтомго кирсе) кызмат мөөнөтү бүткөндөн кийин турмуш-тиричилик калдыктары менен бирге таштабаңыз, шайман менен азыктандыруучу элементтин андан ары утилизациялоо үчүн адистештирилген пункттарга бериңиз.

Шаймандарды утилизациялоодон пайда болгон калдыктарды милдеттүү түрдө чогултуп, андан соң белгиленген жолунда утилизациялоо зарыл.

Бул шайманды утилизациялоо жөнүндө кошумча маалымат алуу үчүн жергиликтүү өкмөткө, турмуш-тиричилик калдыктарды утилизациялоо кызматына же бул шайманды алган дүкөнгө кайрылыңыз.

Өндүрүүчү шаймандардын жалпы иштөө принциптерине таасир этпеген дизайн, конструкциясын жана техникалык мүнөздөмөлөрүн алдын ала эскертпей өзгөртүү укугун сактайт, ошол себептен шайман менен колдонмонун арзыбаган айырмалар болуу мүмкүн. Колдонуучу ушундай келишпегендиктерди тапса, ал жөнүндө info@vitek.ru электрондук почтасына жазып, шаймандын жаңырланган версиясын алса болот.

Шаймандын кызмат мөөнөтү – 3 жыл

Кепилдик

Кепилдик берүү шарттары тууралуу толук маалыматтар буюмду саткан сатуучудан алууга болот. Кепилдик шарттарына ылайык талап кылып сатылган товарга чек же дүмүрчөктү көрсөтүү керек.



ROMÂNĂ

STAȚIE DE CĂLCAT CU ABUR VT-2430

Dispozitivul este destinat pentru tratarea cu abur, călcarea uscată și tratarea verticală cu abur a hainelor, rufelor și țesăturilor.

DESCRIERE

1. Talpa fierului de călcat
2. Buton de pornirea încălzirii/setării regimurilor de livrare a aburului
3. Buton de livrare a aburului cu fixator de livrare continuă a aburului
4. Mâner
5. Furtun de abur
6. Baza fierului de călcat
7. Panou de comandă/indicații
8. Platformă pentru instalarea fierului de călcat
9. Buton de deblocare a fierului de călcat
10. Buton de blocare a fierului de călcat
11. Capacul orificiului de umplere
12. Mănerul rezervorului de apă
13. Rezervor de apă
14. Loc pentru înfășurarea cablului de alimentare și a furtunului de abur

Panou de comandă/indicații

15. Buton de pornire/oprire/selectarea regimurilor de lucru
16. Simbolurile intensității de livrare a aburului
17. Simbolurile regimului economic de livrare a aburului
18. Simbolul terminării apei din rezervor
19. Simbolul regimului de autocurățare a depunerilor
20. Simbolul regimului de autocurățare

ATENȚIE!

Pentru protecție suplimentară este recomandabilă instalarea unui disjuncter de protecție (ECB) cu curent nominal nu mai mare de 30 mA în circuitul de alimentare electric, pentru instalarea ECB adresați-vă unui specialist.

MĂSURI DE SIGURANȚĂ

Înainte de a începe exploatarea stației de călcat cu abur citiți cu atenție prezenta instrucțiune de exploatare și păstrați-o pentru utilizare ulterioară în calitate de material de referință. Utilizați dispozitivul doar conform destinației sale, cum este descris în prezenta instrucțiune. Manipularea necorespunzătoare poate duce la defectarea dispozitivului sau poate cauza daune utilizatorului sau a bunurilor acestuia și nu reprezintă un caz de garanție.

- Înainte de a conecta stația de călcat cu abur, asigurați-vă că tensiunea din rețeaua electrică corespunde tensiunii de lucru a dispozitivului.
- Cablul electric este dotat cu o fișă de tip «euro»; conectați-o la priză electrică cu contact sigur cu pământul.
- Pentru a evita riscul de apariție a incendiului, nu utilizați manșoane de reducere la conectarea stației de călcat cu abur la priză electrică.
- Pentru a evita supraîncărcarea rețelei electrice nu conectați concomitent mai multe dispozitive cu un consum mare de putere.
- Nu utilizați dispozitivul în afara încăperilor.
- Nu păstrați și nu conectați dispozitivul în locuri unde sunt pulverizați aerosoli sau se folosesc lichide ușor inflamabile.

- Instalați stația de călcat cu abur pe o suprafață plană și stabilă; înainte de a instala dispozitivul pe masa de călcat, asigurați-vă că aceasta este sigură și stabilă.
- Înainte de a utiliza dispozitivul, verificați cu atenție cablul de alimentare, furtunul de abur și asigurați-vă că acestea nu sunt deteriorate. Nu utilizați dispozitivul dacă ați observat deteriorarea cablului de alimentare sau furtunului de abur.
- Nu utilizați dispozitivul lângă containere cu apă, în imediata apropiere de chiuveta de bucătărie sau lângă piscină.
- Dacă dispozitivul a căzut în apă, extrageți imediat fișa cablului de alimentare din priză electrică și doar apoi puteți scoate dispozitivul din apă.
- Țineți cablul de alimentare și furtunul de abur departe de suprafețele fierbinți și marginile ascuțite ale mobilierului.
- Nu lăsați dispozitivul fără supraveghere dacă acesta este conectat la o priză electrică. De fiecare dată înainte de curățare, sau dacă nu utilizați dispozitivul, deconectați-l de la rețeaua electrică.
- Nu atingeți corpul stației de călcat cu abur, fierul de călcat, cablul de alimentare sau fișa cablului de alimentare cu mâinile ude.
- Pentru a evita riscul electrocutării nu scufundați corpul stației de călcat cu abur, fierul de călcat, cablul de alimentare și fișa cablului de alimentare în apă sau în alte lichide.

ATENȚIE! *Talpa fierului de călcat și părțile separate ale stației de călcat cu abur se încălzesc în timpul funcționării. Pentru a evita riscul de apariție a arsurilor, evitați contactul nemijlocit al zonelor deschise ale pielii cu suprafețe fierbinți, evitați aburul fierbinte care iese din orificiile tălpilor fierului de călcat.*

- Nu turnați în rezervorul de apă lichide aromatice, oțet, soluție de amidon, agenți pentru îndepărtarea depunerilor de calcar, substanțe chimice și etc.
- La umplerea rezervorului cu apă, instalat pe corpul stației de călcat cu abur, opriți dispozitivul și extrageți fișa cablului de alimentare din priză electrică.
- Este interzisă orientarea aburului de ieșire spre persoane sau animale.
- Pentru a evita deteriorarea tălpilor fierului de călcat, fiți atenți în timpul călcatului hainelor cu fermoare sau nasturi metalici.
- În timpul pauzelor, instalați fierul de călcat pe stația de călcat cu abur sau puneți fierul de călcat pe bază. La sfârșitul lucrului, instalați fierul de călcat pe platforma stației de călcat cu abur și fixați-l, apăsând butonul de blocare.
- La deconectarea dispozitivului de la rețeaua electrică întotdeauna apucați de fișa cablului de alimentare și extrageți-o din priză electrică, nu trageți niciodată de cablu de alimentare.
- Vărsați apa din rezervor numai după oprirea dispozitivului și deconectarea acestuia de la rețeaua electrică.
- Curățați dispozitivul în mod regulat.
- Din motive de siguranță a copiilor, nu lăsați pungile de polietilenă folosite ca ambalaj fără supraveghere.

Atenție! *Nu permiteți copiilor să se joace cu pungile de polietilenă sau pelicula de ambalare. Pericol de sufocare!*

- Nu permiteți copiilor să atingă corpul stației de călcat cu abur, furtunul de abur, cablul de alimentare sau fișa cablului de alimentare în timpul funcționării dispozitivului.

- Copiii trebuie supravegheați pentru a preveni jocul cu dispozitivul.
- Fiți deosebit de precauți dacă în apropierea dispozitivului în funcțiune se află copii sau persoane cu dizabilități.
- Acest dispozitiv nu este destinat utilizării de către copii.
- În timpul funcționării și în timpul pauzelor între ciclurile de lucru plasați dispozitivul în locuri inaccesibile pentru copii.
- Dispozitivul nu este destinat utilizării de către persoane (inclusiv copii) cu abilități fizice, psihice sau mentale reduse sau dacă nu au experiență sau cunoștințe, dacă acestea nu sunt sub control sau instruiți cu privire la utilizarea dispozitivului de către persoana responsabilă de siguranța acestora.
- Verificați periodic integritatea cablului de alimentare.
- Se interzice utilizarea dispozitivului în cazul deteriorării fișei cablului de alimentare sau a cablului de alimentare, dacă aparatul funcționează cu întreruperi, precum și după căderea lui.
- În cazul deteriorării cablului de alimentare, pentru a evita pericolul, acesta trebuie înlocuit de către producător, agentul de deservire sau personal cu calificare corespunzătoare.
- Nu utilizați dispozitivul după căderea acestuia, în cazul deteriorărilor vizibile sau în caz de scurgeri.
- Nu reparați dispozitivul de sine stătător. Nu dezasamblați dispozitivul de sine stătător, în caz de defecțiune, precum și după căderea dispozitivului, deconectați dispozitivul de la priza electrică și adresați-vă la orice centrul autorizat (imputernicit) de service la adresele de contact specificate în certificatul de garanție și pe site-ul www.vitek.ru.
- Pentru a evita deteriorările transportați dispozitivul doar în ambalajul original.
- Păstrați dispozitivul la un loc uscat, întunecat și răcoros, inaccesibil pentru copii și persoane cu dizabilități.

PREZENTUL DISPOZITIVUL ESTE DESTINAT DOAR PENTRU UZ ÎN CONDIȚII CASNICE. ESTE INTERZISĂ UTILIZAREA COMERCIALĂ ȘI UTILIZAREA DISPOZITIVULUI ÎN ZONELE DE PRODUCȚIE ȘI ÎNCĂPERILE DE LUCRU.

ALEGEREA APEI

Pentru umplerea rezervorului utilizați doar apă de la robinet. Dacă apa de la robinet este dură, se recomandă amestecarea ei cu apă distilată în proporție de 1:1, dacă apa este foarte dură, amestecați-o cu apă distilată în proporție de 1:2 sau utilizați doar apă distilată.

ÎNAINTE DE PRIMA UTILIZARE

După transportarea sau depozitarea dispozitivului la o temperatură scăzută este necesar să-l mențineți la temperatura camerei timp de cel puțin trei ore.

- Scoateți stația de călcat cu abur din ambalaj și înlăturați elementele de ambalare care împiedică funcționarea normală a acesteia.
- Apăsăți butonul de deblocare a fierului de călcat (9) și scoateți-l de pe stația de călcat cu abur.
- Dacă pe talpa fierului de călcat (1) este pusă protecția, înlăturați-o.
- Ștergeți talpa (1) cu o cârpă uscată.

- Ștergeți corpul fierului de călcat și corpul stației de călcat cu abur cu o cârpă moale.
- Asigurați-vă că tensiunea din rețeaua electrică corespunde tensiunii de lucru a dispozitivului.
- Instalați stația de călcat cu abur pe o suprafață plană, stabilă și rezistentă la căldură și umiditate astfel, încât dispozitivul să fie la același nivel cu masa dvs. de călcat. La instalarea stației de călcat cu abur pe masa de călcat, asigurați-vă de fiabilitatea și stabilitatea mesei.
- **În rezervor pot fi reziduuri de apă - acest lucru este normal, deoarece în timpul procesului de fabricare a fierului de călcat acesta a fost supus controlului calității.**

UMPLEREA REZERVORULUI DE APĂ

Remarcă: *Înainte de a turna apa în rezervorul de apă (13), asigurați-vă că dispozitivul este deconectat de la rețeaua electrică.*

- Scoateți rezervorul de apă (13), apucând mânerul (12) și trăgând rezervorul (13) spre sine..
- Deschideți capacul orificiului de umplere (11) și turnați apa în rezervorul (13).
- Închideți capacul (11) și instalați rezervorul (13) la loc.

Umplerea rezervorului în timpul funcționării

Dacă în timpul călcării nivelul apei din rezervor (13) a scăzut sub nivelul necesar pentru funcționarea normală a dispozitivului, se va auzi un semnal sonor, în acest caz va începe să clipească indicatorul (18). Puteți adăuga apă fără a scoate rezervorul (13) de pe corpul stației de călcat cu abur.

- Apăsăți și mențineți apăsat butonul (15), așteptați oprirea dispozitivului (în acest caz, toate indicatoarele de pe panoul de comandă/indicații (7) se vor stinge). Deconectați dispozitivul de la rețeaua electrică.
- Deschideți capacul orificiului de umplere (11) și turnați cu grijă apa în rezervorul (13).

Remarcă:

- Nu turnați în rezervorul de apă (13) lichide aromatice, oțet, soluție de amidon, reactive pentru îndepărtarea depunerilor de calcar, substanțe chimice și etc.
- Nu turnați apă mai sus de marcajul „MAX”.

UTILIZAREA DISPOZITIVULUI


- Instalați dispozitivul pe o suprafață plană, stabilă și rezistentă la căldură și umiditate astfel, încât dispozitivul să fie la același nivel cu masa dvs. de călcat. La instalarea stației de călcat cu abur pe masa de călcat, asigurați-vă de fiabilitatea și stabilitatea mesei.
- La prima conectare elementul de încălzire al fierului de călcat se pârlește, de aceea este posibilă apariția unui miros străin, este un fenomen normal.
- După pornire și în timpul funcționării, veți auzi sunetele caracteristice pompei în funcțiune. Aceste sunete sunt rezultatul funcționării normale și nu reprezintă o defecțiune.
- Înainte de a începe utilizarea, încercați să călcați o bucată de țesătură, pentru a curăța canalele de abur ale tălpii fierului de călcat (1) și ale boilerului. La prima utilizare este posibilă ieșirea particulelor din orificiile tălpii fierului de călcat (1), acesta este un fenomen normal și nu reprezintă o defecțiune.

ROMÂNĂ

Atenție! Corpul stației de călcat cu abur, platforma pentru instalarea fierului de călcat (8), talpa fierului de călcat (1) și furtunul de abur (5) se încălzesc în timpul funcționării, nu atingeți suprafețele fierbinți ale dispozitivului, țineți fierul de călcat numai de mâner (4).

- Urmăriți ca furtunul de abur (5) să nu fie îndoit și răsucit în timpul funcționării.
- La prima utilizare a stației de călcat cu abur sau dacă nu ați utilizat stația de călcat cu abur o perioadă îndelungată de timp, apăsați de câteva ori butonul de livrare a aburului (3), orientând aburul în direcția rufelor, acest fapt vă permite să înlăturați condensul din furtunul de abur (5).
- În procesul funcționării se menține temperatura constantă a tălpii fierului de călcat (1), în acest caz indicatorul (2) se aprinde și se stinge periodic.
- Înainte de a începe călcarea cu abur, așteptați încălzirea boilerului până la temperatura necesară și încălzirea tălpii fierului de călcat (1) (indicatorul butonului (2) se va ilumina în continuu), în caz contrar este posibilă scurgerea picăturilor de apă din orificiile de abur ale tălpii (1).

TEMPERATURA DE CĂLCARE

- Tehnologia specială determină temperatura optimă a tălpii fierului în intervalul de la 135 la 165 °C, iar ieșirea intensă a aburului permite utilizarea stației de abur pentru călcare eficientă a țesăturilor delicate și dense.
- De fiecare dată, înainte de călcare, uitați-vă pe eticheta articolului, unde este indicată temperatura de călcare recomandată.
- Dacă pe eticheta articolului există un simbol , atunci acest produs nu trebuie să fie călcat.
- În primul rând sortați hainele după temperatura lor de călcare: sinteticele - la sintetice, lăna - la lână, bumbacul - la bumbac etc.
- În primul rând se recomandă călcarea hainelor din țesături sintetice. Apoi treceți la călcarea articolelor din mătase sau lână. Articolele din bumbac și din înălțimi în ultimul rând.
- Țesăturile din velvet și alte tipuri de țesătură care repede încep a luci, trebuie călcate doar într-o singură direcție (în direcția de orientare a firelor) cu o mică presiune.
- Pentru a evita apariția petelor lucitoare pe țesăturile sintetice și din mătase, călcați-le pe dos.

LIVRAREA ABURULUI

- Articolele de lână pot fi călcate atât pe partea din dos, cât și pe partea din față, dar în ultimul caz trebuie să călcați prin țesătură, porniți livrarea aburului, apăsând și menținând butonul (3). Călcarea cu abur vă ajută să evitați aspectul lucios al articolului.

Regulatorul intensității de livrare a aburului

- Intensitatea livrării aburului se setează cu butoanele (2 sau 15). Selectați intensitatea ieșirii aburului, în acest caz, intensitatea ieșirii aburului se afișează prin simbolurile (16, 17).
- Dispozitivul este gata de utilizare când indicatorul (2) arde în continuu.

CĂLCAREA CU ABUR

- Asigurați-vă că rezervorul (13) este umplut cu apă.
- Plasați fierul de călcat pe bază (8).

- Introduceți fișa cablului de alimentare în priza electrică, și auzi un semnal sonor și se va aprinde indicatorul luminos al butonului (15).
- Porniți dispozitivul, apăsând butonul (2 sau 15), se va auzi un semnal sonor, în acest caz se va aprinde și va clipi indicatorul butonului (2).
- Când indicatorul (2) de pe fierul de călcat va lumina în continuu, puteți începe călcatul.
- În timpul funcționării puteți selecta intensitatea vaporizării, apăsând butoanele (2 sau 15), în acest caz se vor aprinde simbolurile (16 sau 17).
- În scopul economisirii energiei electrice și a reducerii consumului de apă, puteți seta regimul econom de livrare a aburului, regimul de funcționare economic se afișează prin simbolul (17).
- Pentru livrarea aburului pe termen scurt, apăsați butonul (3), pentru livrarea îndelungată a aburului, apăsați și mențineți apăsat butonul (3). Pentru a fixa butonul (3) în poziția apăsată, apăsați-o și deplasați fixatorul; pentru a întoarce butonul (3), deplasați fixatorul în direcția opusă.
- În timpul pauzelor de lucru, amplasați fierul de călcat pe platformă (8) sau pe baza (6), înainte de a instala fierul de călcat pe platformă (8) așteptați ieșirea completă a aburului din orificiile tălpii (1). Urmăriți ca picăturile de apă să nu se acumulează pe platforma (8), la formarea picăturilor, ștergeți-le cu o cârpă moale sau un șervețel de hârtie.
- După utilizarea stației de călcat cu abur, instalați fierul de călcat pe platformă (8) și blocați-l, apăsând butonul de blocare (10).
- Oprii dispozitivul, apăsând și menținând apăsat butonul (15).
- Extrageți fișa cablului de alimentare din priza electrică.
- Așteptați răcirea completă a dispozitivului, apoi scoateți rezervorul (13) și vărsați din el apa.

TRATARE VERTICALĂ CU ABUR

Țineți fierul de călcat în poziție verticală la distanța de 10-30 cm de haină și apăsați pe butonul de livrare a aburului (3).

Informație importantă

- Nu se recomandă tratarea verticală cu abur a țesăturilor sintetice.
- Niciodată nu prelucrați cu abur haina îmbrăcată pe o persoană, deoarece temperatura aburului de ieșire este foarte înaltă, utilizați umerase sau un cuier. Nu orientați aburul spre persoane, plante, animale sau pe articole care pot fi afectate de umezeală.

CĂLCAREA USCATĂ

- Atunci când talpa fierului de călcat (1) se va încălzi până la temperatura setată, indicatorul (2) va ilumina în continuu, puteți începe călcatul.
- Menținând fierul de călcat de mâner (4), nu apăsați butonul de livrare a aburului (3).

FUNCȚIA DE OPRIRE AUTOMATĂ

- Dacă nu ați utilizat dispozitivul timp de 10 minute (nu ați apăsați niciun buton, nu ați apăsați butonul de livrare a aburului (3)) sau ați utilizat dispozitivul în regimul «călcare uscată», se vor auzi semnale sonore, simbolul (20) va clipi și dispozitivul se va opri automat.

- Pentru a porni dispozitivul, apăsați butonul (2 sau 15), așteptați până când talpa (1) se încălzește și continuați să lucrați.

CURĂȚARE ȘI ÎNTREȚINERE

Înainte de curățare deconectați dispozitivul de la rețeaua electrică și așteptați răcirea completă a acestuia.

După fiecare utilizare

Văsați apa din rezervorul de apă (13).

- Scoateți rezervorul de apă (13), apucând mânerul (12) și trăgând rezervorul (13) spre sine.
- Deschideți capacul (11) și vărsați apa din rezervorul de apă (13), apoi instalați rezervorul la loc.

Curățarea regulată

- Ștergeți corpul stației de călcat cu abur și a fierului de călcat cu o cârpă ușor umezită, iar apoi ștergeți-l până la uscat.
- Îndepărtați depunerile minerale de pe talpa fierului de călcat (1) cu o cârpă înmuiată în soluție de apă și oțet, apoi ștergeți suprafața tălpii cu o cârpă uscată.
- Nu utilizați pentru curățarea stației de călcat cu abur și a fierului de călcat substanțe abrazive de curățare și dizolvanți.

Regim de autocurățare

- Umpleți rezervorul (13) și instalați-l la loc.
- Introduceți fișa cablului de alimentare la o priză electrică, apăsați și mențineți apăsat butonul (15) timp de 2 secunde, în acest caz se va aprinde simbolul regimului de autocurățare (19).
- După încălzirea tălpii fierului de călcat (1), amplasați fierul de călcat orizontal sub chiuveță, apoi apăsați și mențineți apăsat simultan tasta (3) și butonul (2).
- În regimul de autocurățare se pornește intensitatea sporită de ieșire a aburului, aburul împreună cu apa clocotită și depunerile de calcar vor fi aruncate din orificiile tălpii fierului de călcat (1).
- Legănați ușor fierul de călcat înainte-înapoi, până iese toată apa din rezervor (13).
- Eliberați butonul de livrare a aburului (3).
- Puneți fierul de călcat pe bază (6) și lăsați-l să se răcească complet.
- Atunci când talpa fierului de călcat (1) se va răci complet, ștergeți-o cu o bucată de țesătură uscată.
- Înainte de a instala fierul de călcat pe platformă (8), asigurați-vă că talpa fierului de călcat (1) este uscată.
- Oprii dispozitivul, apăsând și menținând apăsat butonul (15).
- Extrageți fișa cablului de alimentare din priza electrică.

PĂSTRARE

- Înainte de depozitarea dispozitivului, asigurați-vă că dispozitivul s-a răcit complet.
- Vărsați apa rămasă din rezervor (13).
- Efectuați curățarea dispozitivului.
- Plasați fierul de călcat pe platformă (8) și blocați-l, apăsând butonul (10).

- Plasați cablul de alimentare și furtunul de abur (5) în locul de înfășurare (14).
- Păstrați dispozitivul la un loc uscat, întunecat și răcoor, inaccesibil pentru copii și persoane cu dizabilități.

COMPLETARE

Stația de călcat cu abur - 1 buc.
Instrucțiune - 1 buc.

CARACTERISTICI TEHNICE

Alimentare electrică: 220-240 V ~ 50-60 Hz
Consum nominal de putere: 2200 W
Consum maxim de putere: 2400 W
Productivitate maximă a vaporizării: până la 220 g/min.
Presiune: 5,5 bar
Capacitatea rezervorului de apă: 1,5 L

RECICLAREA



În scopul protejării mediului înconjurător, după finalizarea termenului de exploatare a dispozitivului și a elementelor de alimentare (dacă sunt incluse în set), nu le aruncați împreună cu deșeurile menajere obișnuite, livrați dispozitivul și elementele de alimentare în punctele specializate pentru reciclare ulterioară.

Deșeurile formate în timpul reciclării produselor sunt supuse colectării obligatorii cu reciclarea ulterioară în modul stabilit.

Pentru mai multe informații privind reciclarea acestui produs, contactați primăria locală, serviciul de reciclare a deșeurilor menajere sau magazinul de unde ați achiziționat acest produs.

Producătorul își rezervă dreptul de a modifica designul, construcția și caracteristicile tehnice care nu afectează principiile generale de funcționare ale dispozitivului fără notificare prealabilă, din cauza cărora între instrucțiune și produs pot exista diferențe neînsemnate. Dacă utilizatorul a depistat astfel de neconformități, vă rugăm să ne informați prin e-mail info@vitek.ru pentru a obține o versiune actualizată a instrucțiunii.

Durata de funcționare a dispozitivului este de 3 ani

Garanție

În legătură cu oferirea garanției pentru produsul dat, rugăm să Vă adresați la distribuitorul regional sau la compania, unde a fost procurat produsul dat. Serviciul de garanție se realizează cu condiția prezentării bonului de plată sau a oricărui alt document financiar, care confirmă cumpărarea produsului dat.



Acest produs respectă cerințele Directivei UE 2014/30/UE privind compatibilitatea electromagnetică și Directiva UE 2014/35/UE privind produsele de joasă tensiune.

GB

A production date of the item is indicated in the serial number on the technical data plate. A serial number is an eleven-unit number, with the first four figures indicating the production date. For example, serial number 0606xxxxxxx means that the item was manufactured in June (the sixth month) 2006.

RUS

Дата производства изделия указана в серийном номере на табличке с техническими данными. Серийный номер представляет собой одиннадцатизначное число, первые четыре цифры которого обозначают дату производства. Например, серийный номер 0606xxxxxxx означает, что изделие было произведено в июне (шестой месяц) 2006 года.

KZ

Бұйымның шығарылған мерзімі техникалық деректері бар кестедегі сериялық нөмірде көрсетілген. Сериялық нөмір он бір саннан тұрады, оның бірінші төрт саны шығару мерзімін білдіреді. Мысалы, сериялық нөмір 0606xxxxxxx болса, бұл бұйым 2006 жылдың маусым айында (алтыншы ай) жасалғанын білдіреді.

UA

Дата виробництва виробу вказана в серійному номері на табличці з технічними даними. Серійний номер представляє собою одинадцятизначне число, перші чотири цифри якого означають дату виробництва. Наприклад, серійний номер 0606xxxxxxx означає, що виріб був виготовлений в червні (шостий місяць) 2006 року.

KG

Буюм иштеп чыгарылган датасы сериялык номурунда техникалык маалыматтар жадыбалында көрсөтүлгөн. Сериялык номуру он бир орундуу сан болот, анын биринчи төрт саны өндүрүш датасын көрсөтөт. Мисалы, сериялык номуру 0606xxxxxxx болгон буюм 2006 жылдын июниңде (алтынчы айында) өндүрүлгөн.

RO

Data fabricării este indicată în numărul de serie pe tabelul cu datele tehnice. Numărul de serie reprezintă un număr din unsprezece cifre, primele patru cifre indicând data fabricării. De exemplu, dacă numărul de serie este 0606xxxxxxx, înseamnă că produsul dat a fost fabricat în iunie (luna a asea) 2006.



ЗАПРЕЩЕНО УТИЛИЗИРОВАТЬ
С БЫТОВЫМ МУСОРОМ.
ОБРАТИТЕСЬ НА СООТВЕТСТВУЮЩИЙ
ПУНКТ ПЕРЕРАБОТКИ ЭЛЕКТРИЧЕСКОГО
И ЭЛЕКТРОННОГО ОБОРУДОВАНИЯ.